

Accumulator Safety Block - *SB Series*

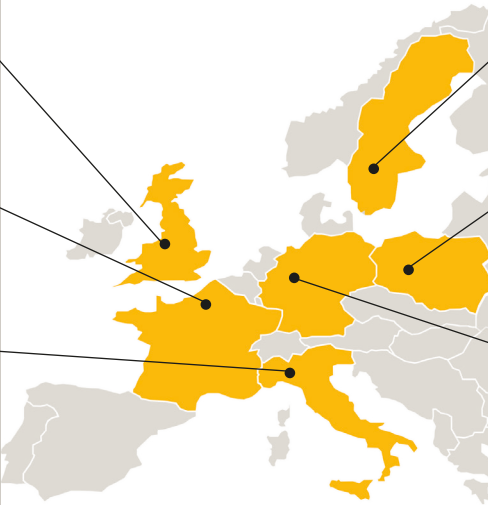
For working pressures up to 350 bar



ENGINEERING YOUR SUCCESS.

CADE – Cylinder and Accumulator Division Europe

Made in Europe - serving all markets and industries



Parker CADE UK
Sandycroft, (Chester)

Parker CADE France
Colombes


Parker CADE Italy
Arsago

Parker CADE Sweden
Falköping


















Parker CADE Poland
Wrocław

Parker CADE Germany
Cologne

www.parker.com/acde



Our product range - click for more detail:

 Bladder Accumulators	 Piston Accumulators	 Diaphragm Accumulators	 Pulsation Dampers	 Attenuators	 Gas Bottles
 Accessories	 Air-Oil Cooler	 Water-Oil Cooler	 QPM Pump	 Industrial Hydraulic Cylinders	 Mill-type Cylinders
 Helical Actuators	 Lightraulics®	 Service Center	 Services & Support	 ENGINEERING YOUR SUCCESS. Fast Track Programme	



Contents

	Page
Introduction	5
Our Technology - Your Value	6
Technical Data	8
Hydraulic Pressure Curves	12
Hydraulic Data, Pressure Relief Valve	13
Safety Block	
Size 10	
Order Tables	15
Technical Drawings	16
Size 20	
Order Tables	19
Technical Drawings	20
Size 32	
Order Tables	23
Technical Drawings FLANGE	24
Technical Drawings THREADED	26
Components	28
Spare Parts	30
Additional Information / Service	32
Code Key	33

If you are using an electronic version of this catalogue this icon will take you back to this **CONTENTS** page upon clicking.



If you are using an electronic version of this catalogue this icon will take you back to this **HOW TO ORDER** page upon clicking.



Parker declares that all products featured in this catalogue conform to REACH and RoHS regulations.



Parker – committed to your success

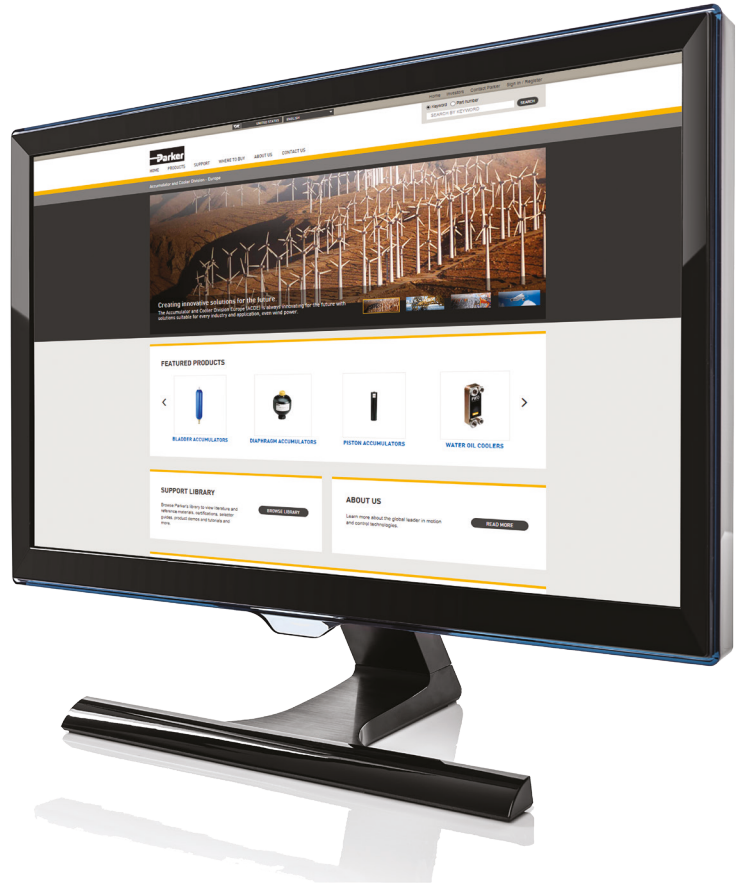
Parker Hannifin is the global leader in motion and control technologies. We employ more than 58,000 people in 48 countries, providing our customers with technical excellence and first class customer service. Parker is one of the world's largest supplier of hydraulic components and systems for industrial and mobile applications.

When you partner with Parker, you gain access to a vast range of resources designed to increase your productivity and profitability.

Online Support

You can find the latest product information on the Parker website. Designed to be accessible via desktops, tablets and smart phones, you can download software, brochures, manuals and 3D models. All of the latest product news and contact information is also included on the website.

www.parker.com/acde



WARNING – USER RESPONSIBILITY

FAILURE OR IMPROPER SELECTION OR IMPROPER USE OF THE PRODUCTS DESCRIBED HEREIN OR RELATED ITEMS CAN CAUSE DEATH, PERSONAL INJURY AND PROPERTY DAMAGE.

This document and other information from Parker-Hannifin Corporation, its subsidiaries and authorized distributors provide product or system options for further investigation by users having technical expertise.

The user, through its own analysis and testing, is solely responsible for making the final selection of the system and components and assuring that all performance, endurance, maintenance, safety and warning requirements of the application are met. The user must analyze all aspects of the application, follow applicable industry standards, and follow the information concerning the product in the current product catalog and in any other materials provided from Parker or its subsidiaries or authorized distributors.

To the extent that Parker or its subsidiaries or authorized distributors provide component or system options based upon data or specifications provided by the user, the user is responsible for determining that such data and specifications are suitable and sufficient for all applications and reasonably foreseeable uses of the components or systems.

Offer of Sale

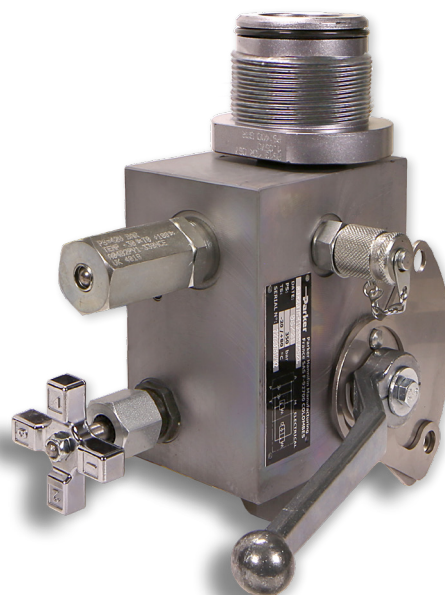
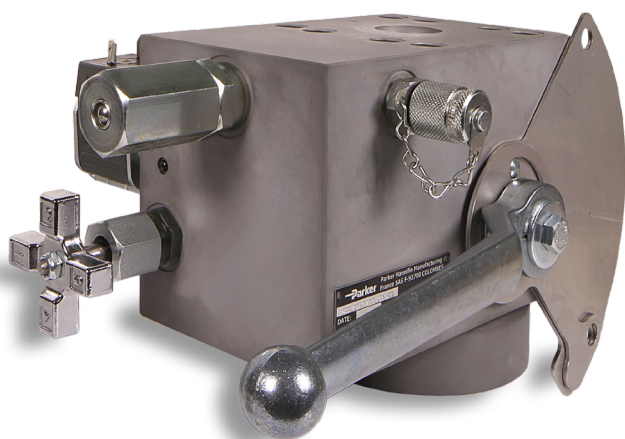
Please contact your Parker representation for a detailed 'Offer of Sale'.



Introduction

The new SB safety block for accumulator is engineered for industrial applications, protecting accumulators against pressure peaks according to PED 2014/68/EU including CE marked pressure relief valve. This new range is the result of long experience on safety blocks. It features an improved design which is optimized for compacity and easy installation. This very versatile product range is sure to meet customer needs'. It also helps pressure vessel regulations to be met and facilitates easy maintenance. This new range replaces all previous ranges.

- *The new safety block's design is the optimization of the multi Parker safety block range keeping the best of each*
- *Setted and sealed safety valve to protect against presssure peak*
- *Very compact sizes to cover all applications demands 10, 20 and 32*
- *Hydraulic Connection with flange or connector available for size 32*
- *SAE fluid port accumulator direct mounting for size 32*
- *Zinc plated for optimum corrosion resistance, conforms to ISO 9227*
- *Manual drain control or electrical drain control option*
- *Available with or without accumulator connector*
- *Approved process for the settings of pressure relief valve!*



Our Technology

- One safety block - one technology
- Aligned temperature range - suitable for all industries
- Robust Construction and compact design
- Pressure range aligned with accumulator working pressure: up to 350 bar
- Manual or electrical drain control
- Available sizes: 10, 20, 32
- Carbon steel model with zinc plated protection for ideal corrosion resistance
- Size 32 provides option to connect to SAE or BSPP accumulator fluid port as a standard

KEY FEATURES

Easy Design

Easy Installation

Easy Engineering

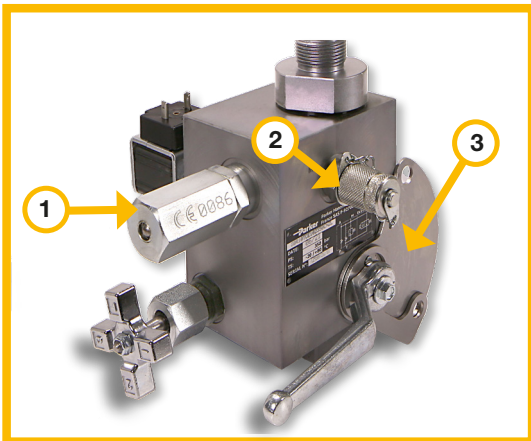
Easy Usage

Easy Selection

Easy Maintenance

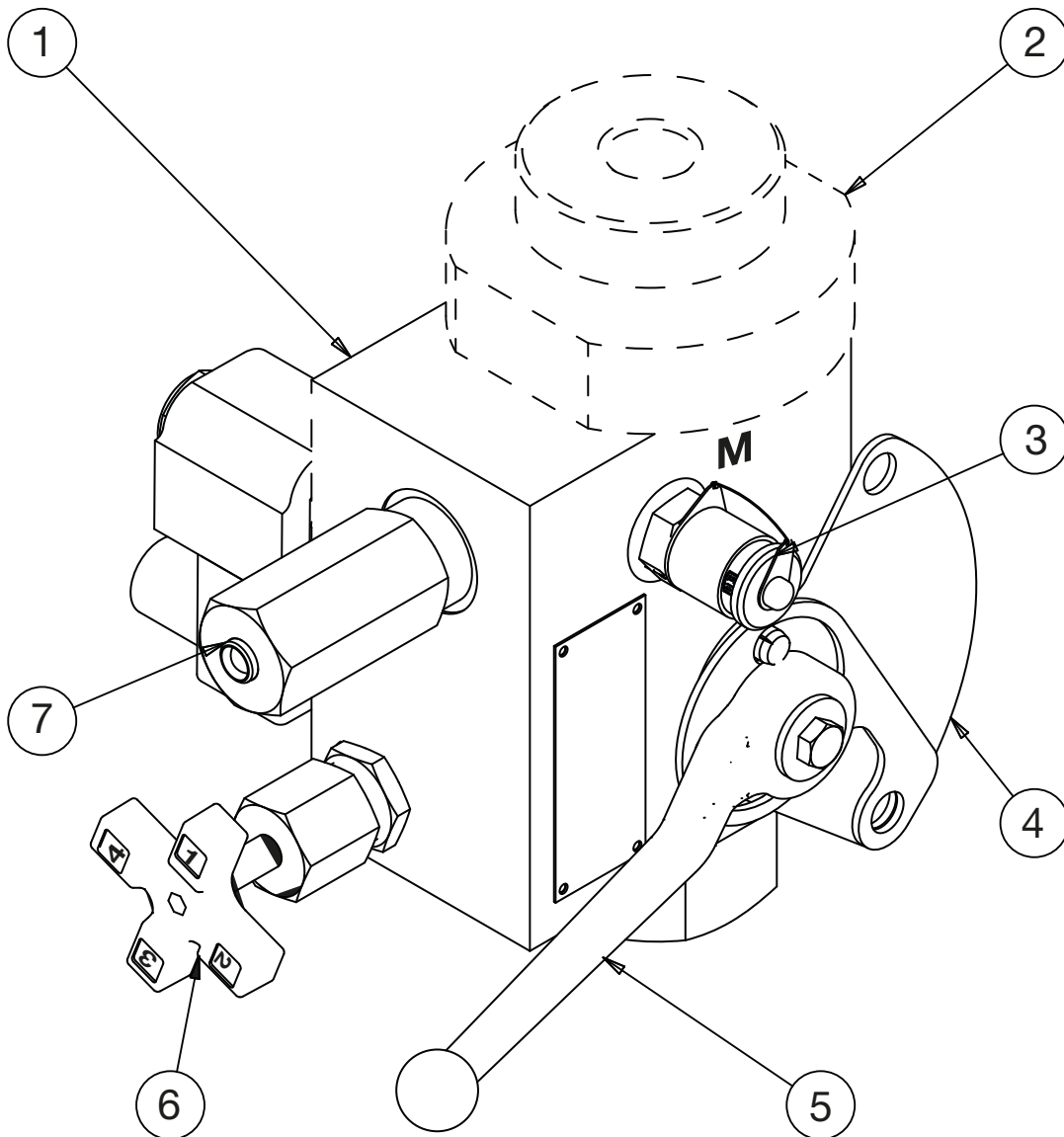
Your Value

- All functions in a single product: Isolation, drain, pressure peak protection, pressure check
- Separate drain valve and isolation valve for all sizes
- Safe maintenance operation: test point for pressure release check
- Locking plate for safe maintenance operation (optional)
- Complies with PED 2014/68/EU
- PED approved process for the settings of pressure relief valve
- Suitable for ATEX environments, manual version only
- Also compliant to new UK pressure directive UKCA (becoming effective as of Jan 01, 2022)
- Conforms to ISO 4413:
General rules and safety requirements for systems and their components
- Asset management complemented in Certificate Portal and unique identifier number PTS
- Access to documentation at all times from all electronic devices



Unique Parker Features

1. Pressure Relief Valve
2. Pressure Test Point
3. Hex Head Screw



- 1 Safety block housing
- 2 Adapter to the accumulator (not included, see p. 31 for adapter options)
- 3 Pressure Test Point
- 4 Locking Device (optional)
- 5 Isolation and Opening Valve
- 6 Manual Discharge Valve, see p. 28 for more information
- 7 Pressure Relieve Valve, for hydraulic scheme go to p. 13, further information: p. 29

Technical Data

Construction

- shut-off valve ball valve
- pressure relief poppet-type valve
- manually-operated discharge valve . . needle valve
- electrically-operated discharge valve . poppet-type valve (where fitted)

Port type see table below

Accumulator connection* Port A (through accumulator adapter
or direct mounting for SAE connection, size 32)

Operating temperature -20°C to +80°C

Max. operating pressure 350 bar (5075 PSI)

Relief flow rate. See table on p. 13

Fluid Mineral oil according to DIN/ISO 6743 and DIN 51524
for other fluid types, please contact Parker

Viscosity 6 to 420 mm²/s

Filtration ISO 4406 18 / 16 / 13

Electrical discharge valve connection IP 65 to DIN 40050, connector to DIN 43650 type A (not included)

Material / Coating Carbon steel, zinc protected (Safety block body: 600 hrs salt spray test
without red corrosion according to ISO 9227)

Seal material Nitrile

Dimensions and Weights

BSPV Version

Type	A*	P	T	M	Weight kg
10	M33 x 2	BSPP 1/2	BSPP 1/2	M16 x 200	6.35
20	M33 x 2	BSPP 1	BSPP 1/2	M16 x 200	8.20
32, T (Threaded)	□ 74.24 & 1-½ SAE 6000	BSPP 1 ½	BSPP 1	M16 x 200	15.73 / 18.7
32, F (Flange)		1¼ SAE 6000	BSPP 1	M16 x 200	15.73 / 18.7

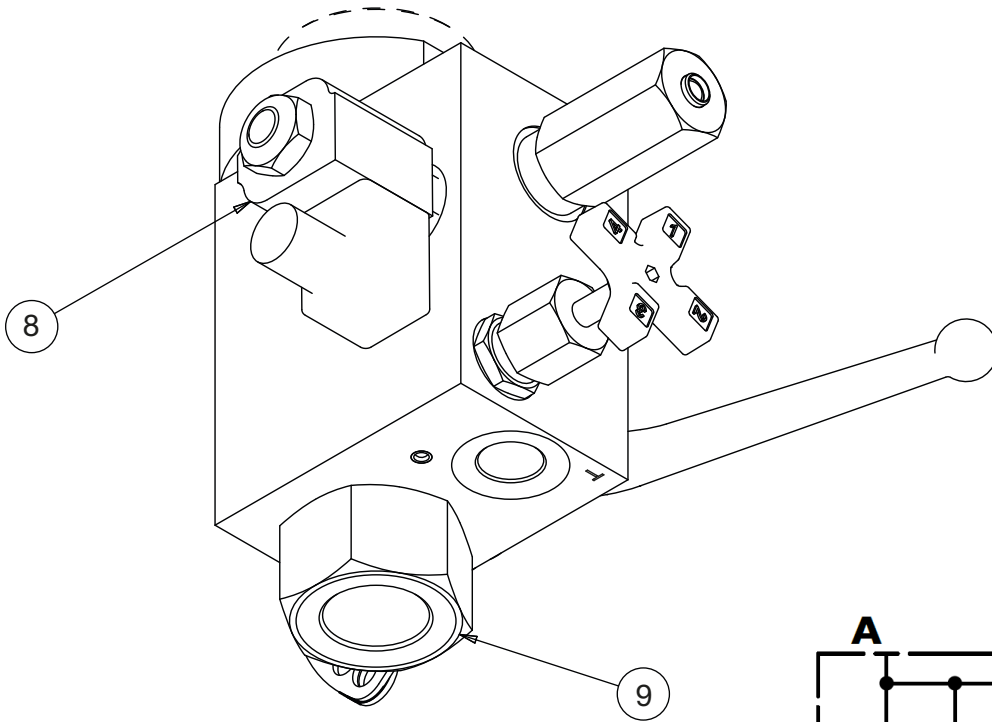
SAE Version

Type	A*	P	T	M	Weight kg
10	M33 x 2	# 8 SAE	# 10 SAE	M16 x 200	6.43
20	M33 x 2	# 16 SAE	# 10 SAE	M16 x 200	8.55
32, T (Threaded)	□ 74.24 & 1-½ SAE 6000	# 24 SAE	# 16 SAE	M16 x 200	16.30 / 19.20
32, F (Flange)		1¼ SAE 6000	# 16 SAE	M16 x 200	16.30 / 19.20

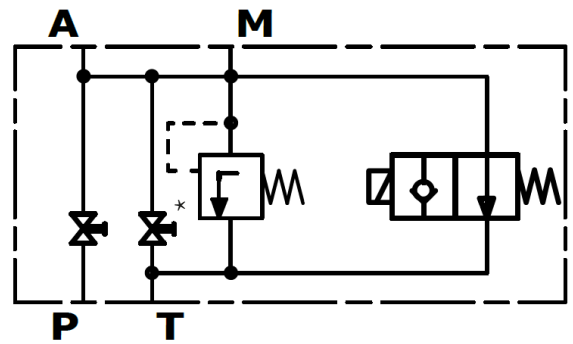
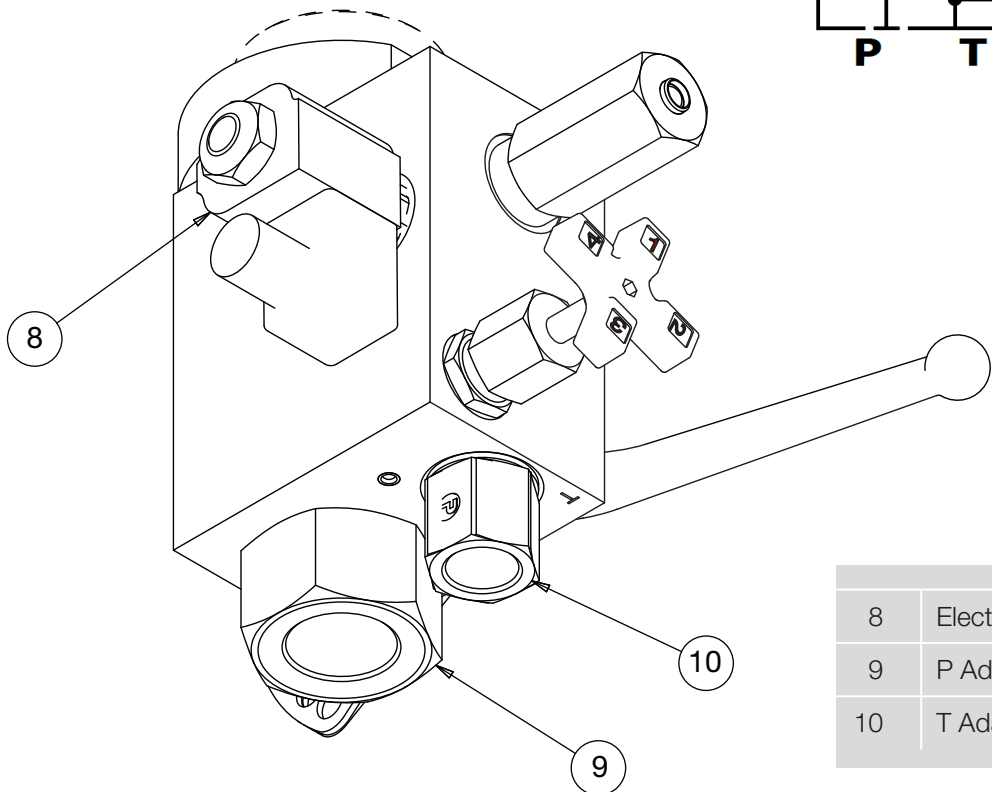
*A range of adapters is available for accumulator port A – see page 31



BSPP, electrical version



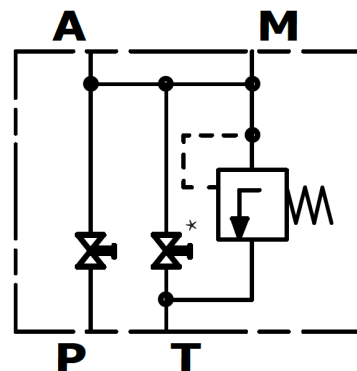
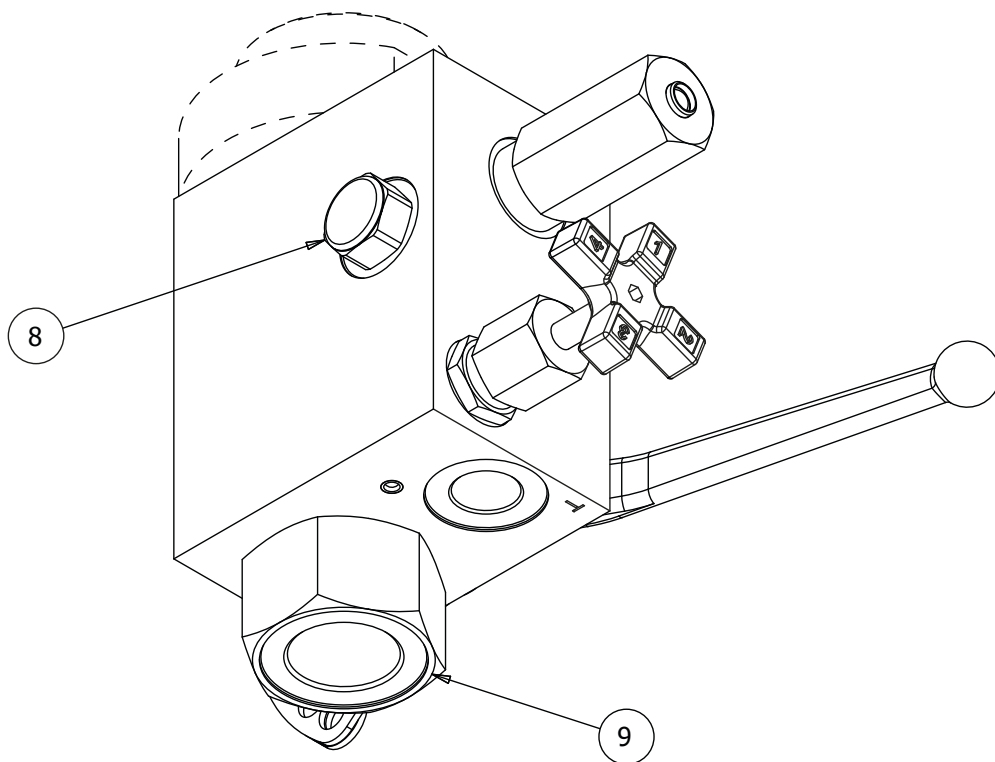
SAE#, electrical version



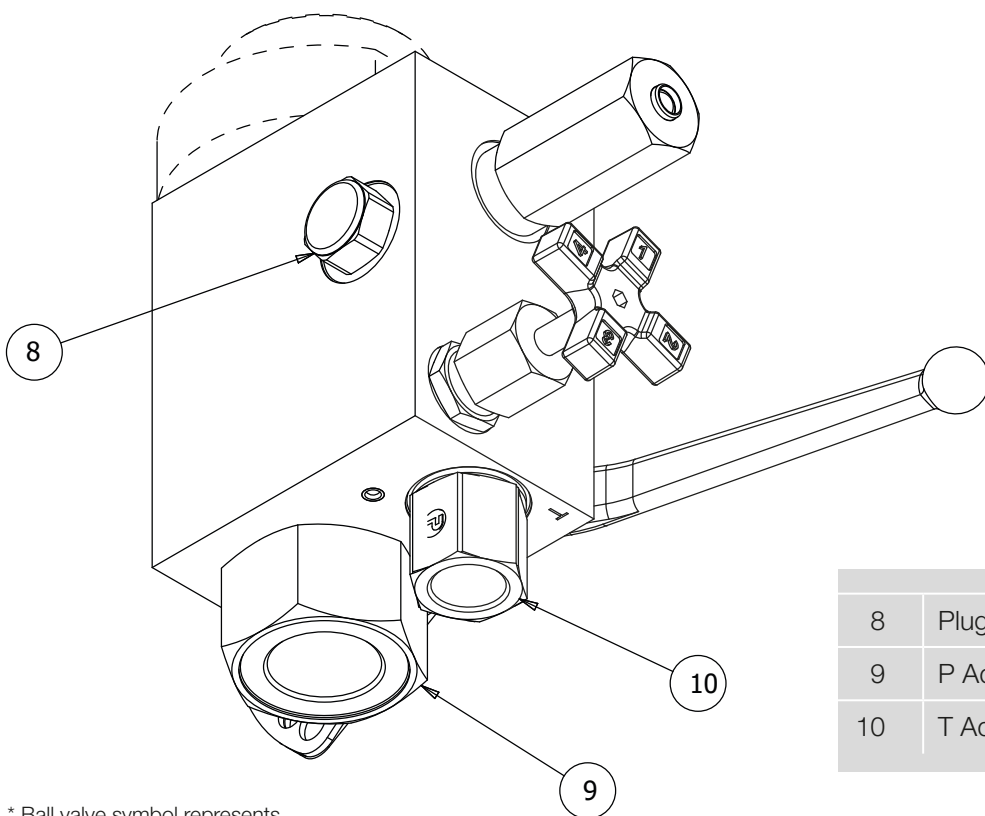
8	Electrical Valve (optional)
9	P Adapter
10	T Adapter, for SAE#

* Ball valve symbol represents needle valve to control accumulator drain speed.

BSPP, manual version



SAE#, manual version

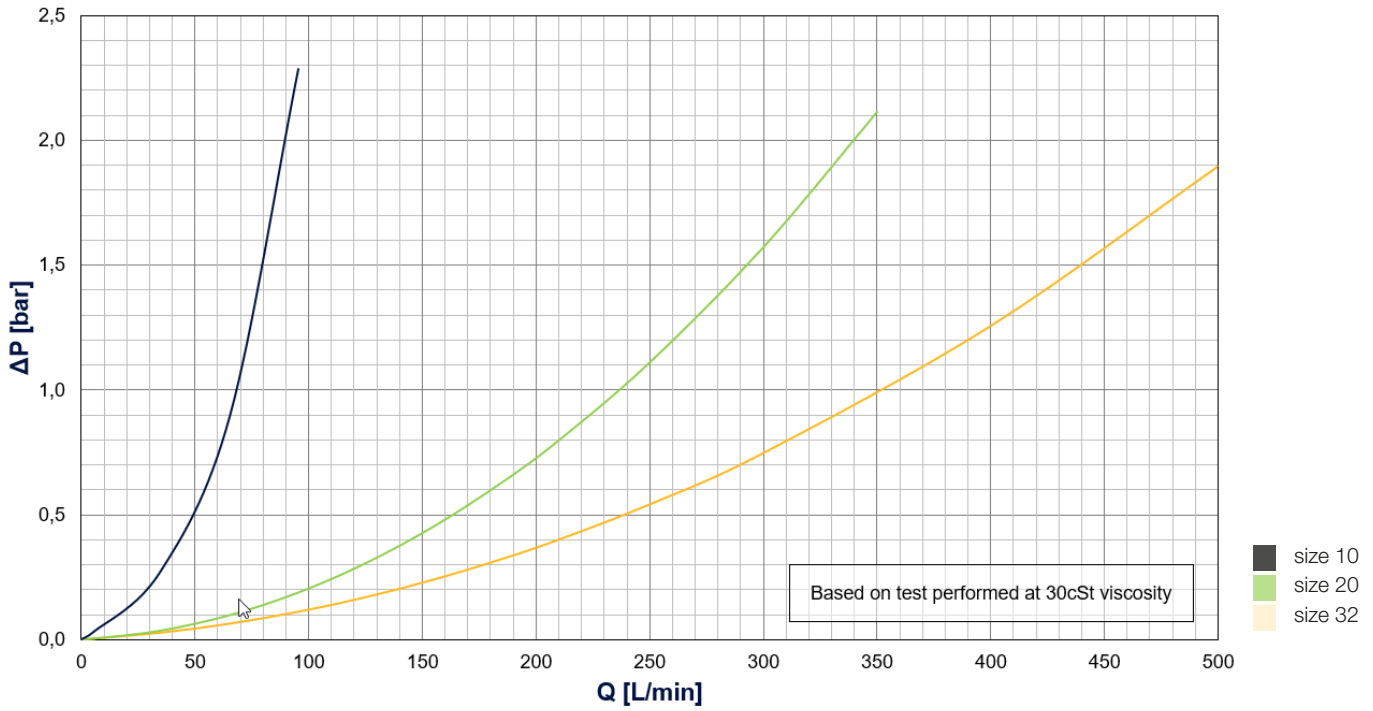


8	Plug
9	P Adapter
10	T Adapter, for SAE#

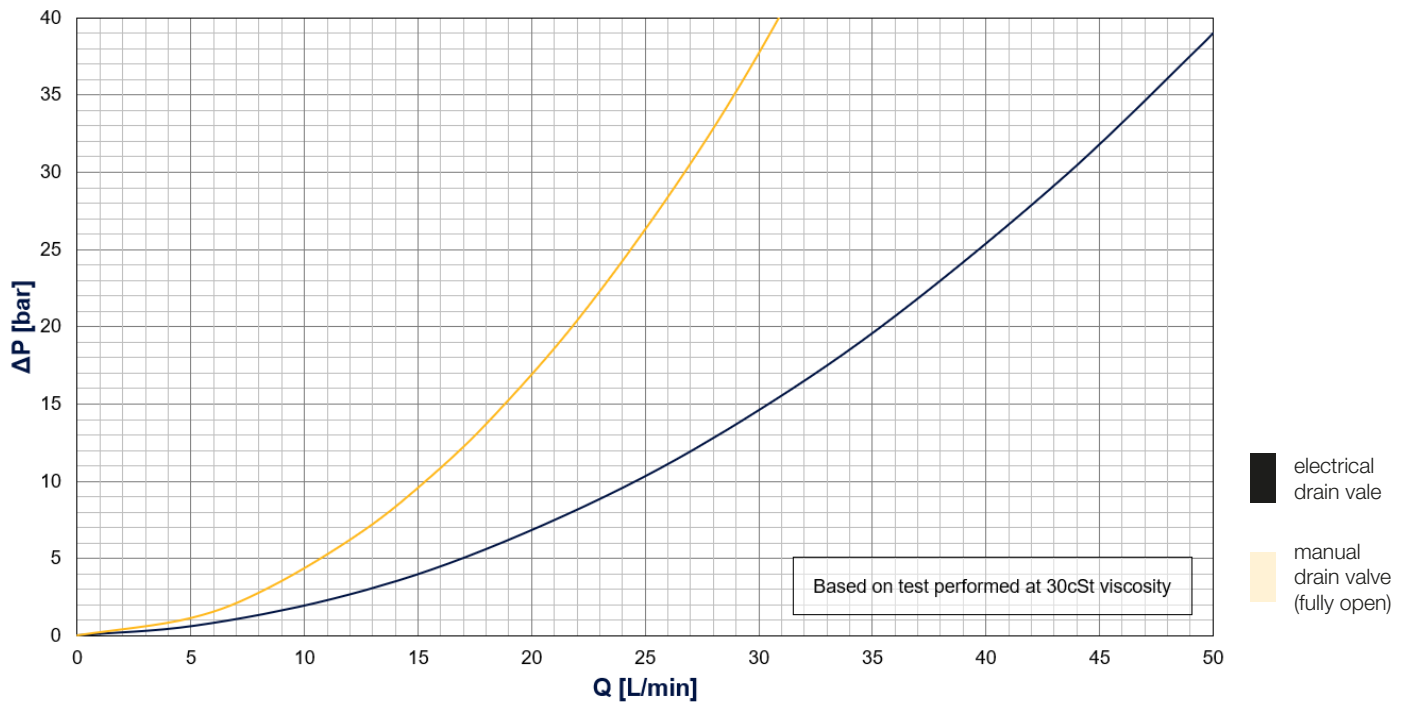
* Ball valve symbol represents needle valve to control accumulator drain speed.

Hydraulic Pressure Curves

Pressure drop from A to P

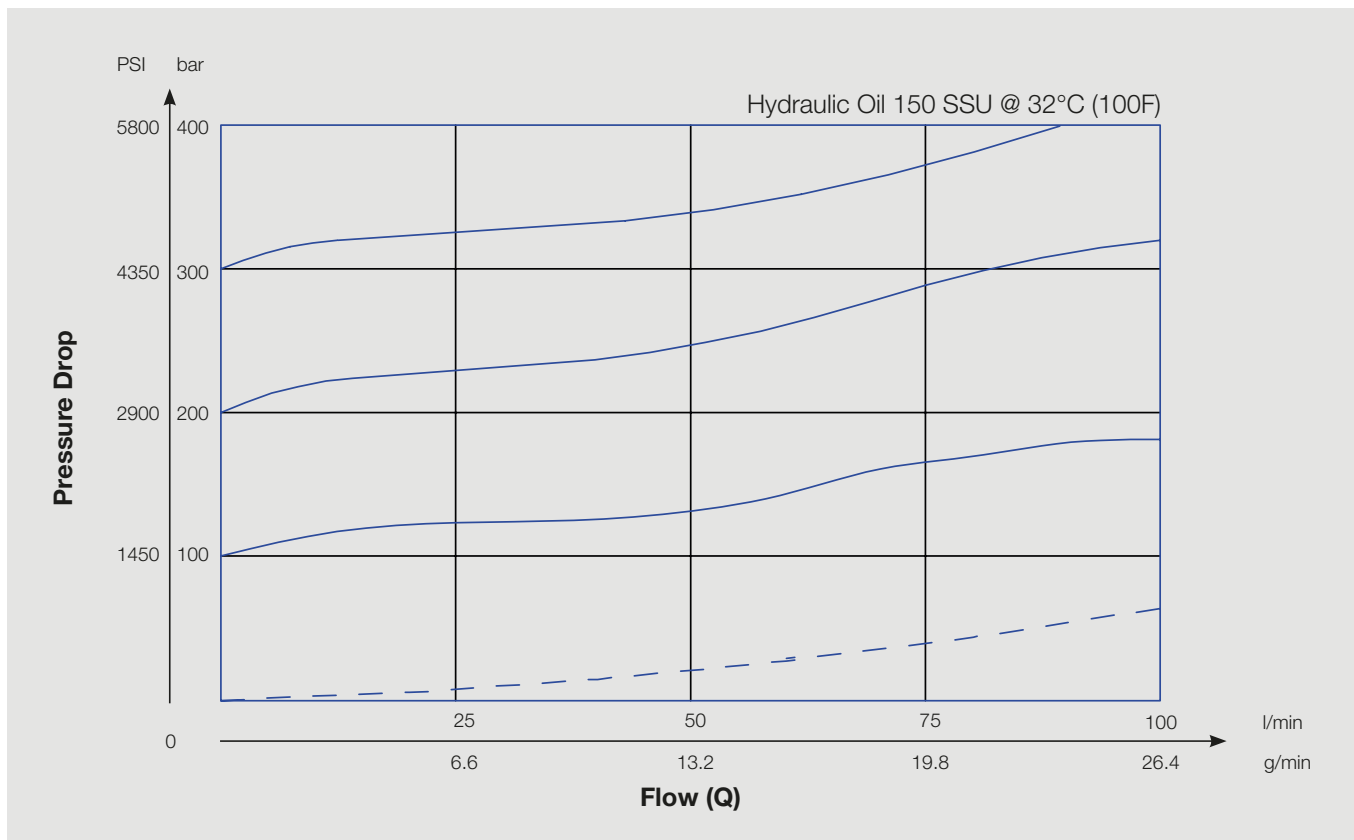


Pressure drop from A to T (All sizes)

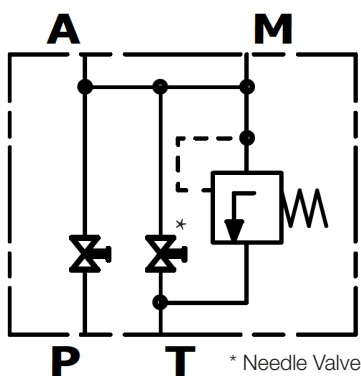


Pressure Relief Valve

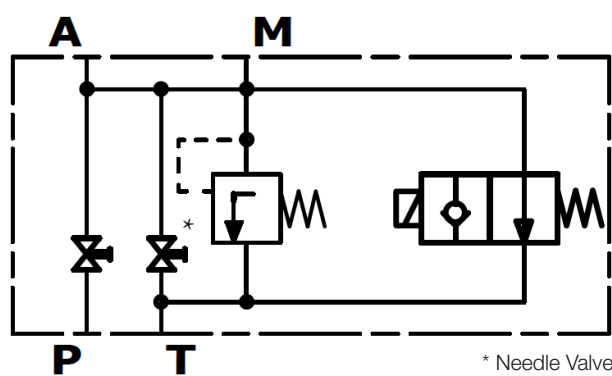
Pressure Drop versus Flow



Manually-Operated Discharge Valve



Manually- and Electrically-Operated Discharge Valve



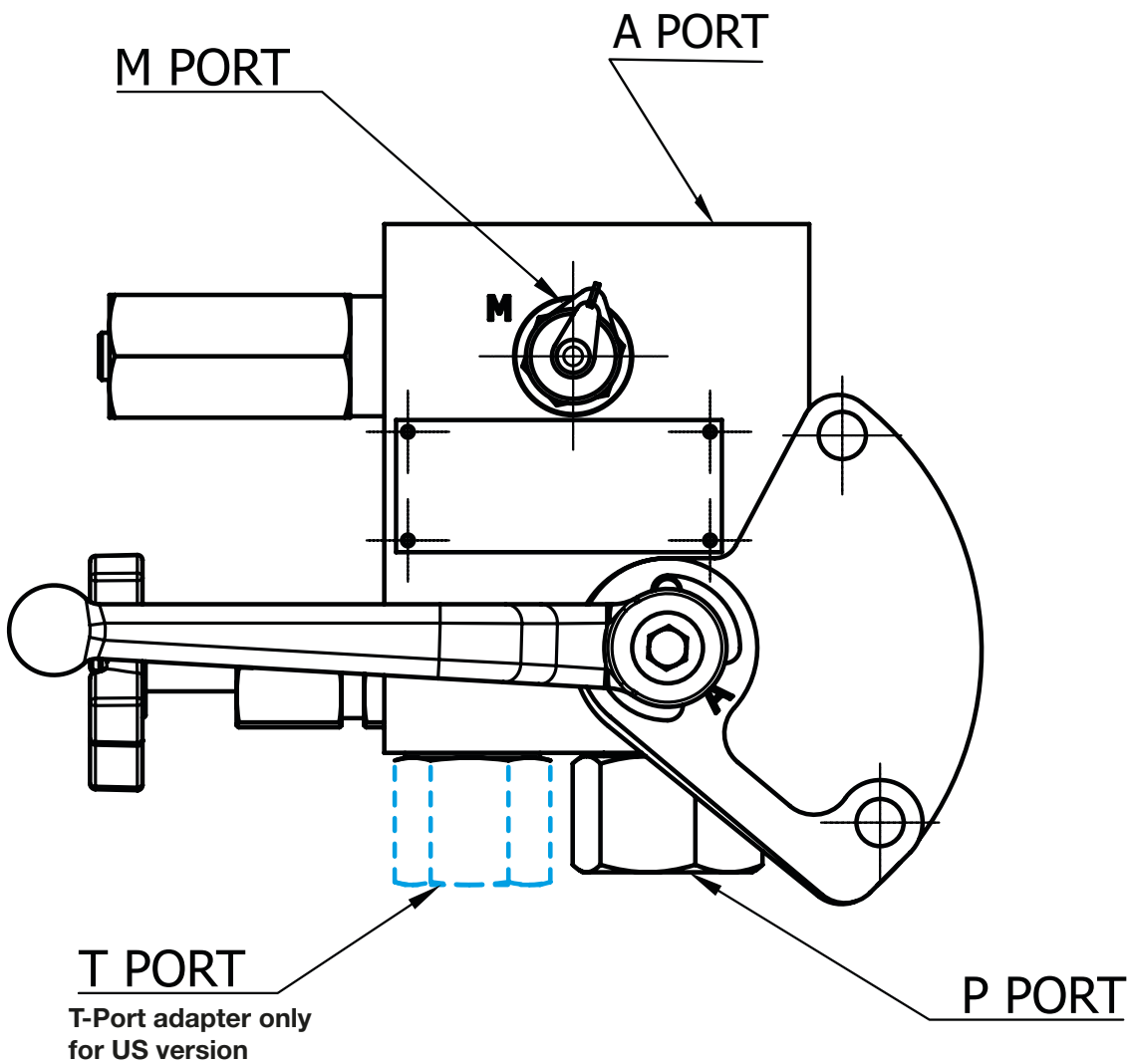
* Ball valve symbol represents needle valve to control accumulator drain speed.

Safety Block, Size 10

Port	BSP Connection	SAE Connection
P / Connection 1 Size	BSP 1/2	#8 SAE
T	BSP 1/2	#10 SAE
A / Connection 2 Size	M33 x 2	
M	M16 x 2	

Technical Data

Weight: 6.35 kg

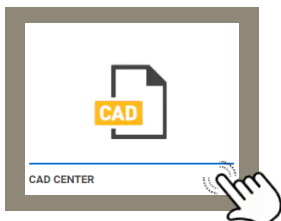


BSPB Range (Europe)*

Partnumber		Accumulator Connection	Electrical (24 V DC)	Electrical (230 V AC)	Locking Plate
SBR10TCM000330CNZ0	330 bar	N	N	N	N
SBR10TCM000330CNZ0	330 Bar (2")	Y	N	N	N
SBR10TCE100330CNZ0	330 bar	N	Y	N	N
SBR10TCE300330CNZ0	330 Bar	N	N	Y	N
SBR10TCM000330CNZL	330 Bar	N	N	N	Y
SBR10TCE103330CNZ0	330 Bar (2")	Y	Y	N	N
SBR10TCE103330CNZL	330 Bar (2")	Y	Y	N	Y
SBR10TCM001330CNZ0	330 Bar (1"-1/4)	Y	N	N	N
SBR10TCM000350CNZ0	350 Bar	N	N	N	N
SBR10TCM001350CNZ0	350 Bar (1"-1/4)	Y	N	N	N
SBR10TCE100350CNZ0	350 Bar	N	Y	N	N
SBR10TCE300350CNZ0	350 Bar	N	N	Y	N
SBR10TCM000350CNZL	350 Bar	N	N	N	Y
SBR10TCE101350CNZ0	350 Bar (1"-1/4)	Y	Y	N	N
SBR10TCE101350CNZL	350 Bar (1"-1/4)	Y	Y	N	Y
SBR10TCM002350CNZ0	350 Bar (3/4")	Y	N	N	N
SBR10TCE100210CNZ0	210 Bar	N	Y	N	N
SBR10TCE300210CNZ0	210 Bar	N	N	Y	N

SAE Range (US)*

Partnumber		Adaptor	Electrical (24 V DC)	Electrical (110 V AC)	Locking Plate
SBT10TCM000210CNZ0	210 bar	N	N	N	N
SBT10TCM000210CNZL	210 bar	N	N	N	Y
SBT10TCE100210CNZ0	210 bar	N	Y	N	N
SBT10TCE100210CNZL	210 bar	N	Y	N	Y
SBT10TCM000250CNZ0	250 bar	N	N	N	N
SBT10TCM000250CNZL	250 bar	N	N	N	Y
SBT10TCE100250CNZ0	250 bar	N	Y	N	N
SBT10TCE100250CNZL	250 bar	N	Y	N	Y



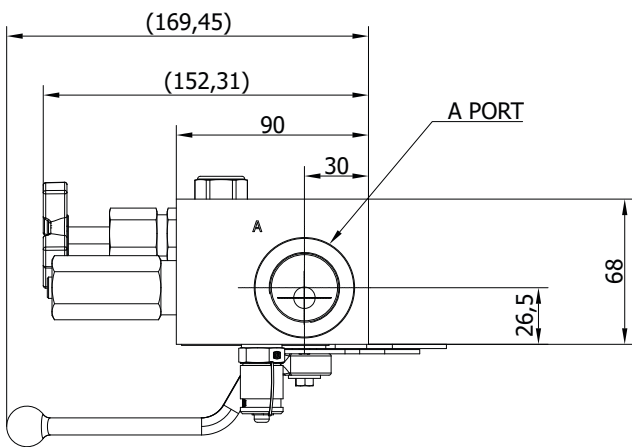
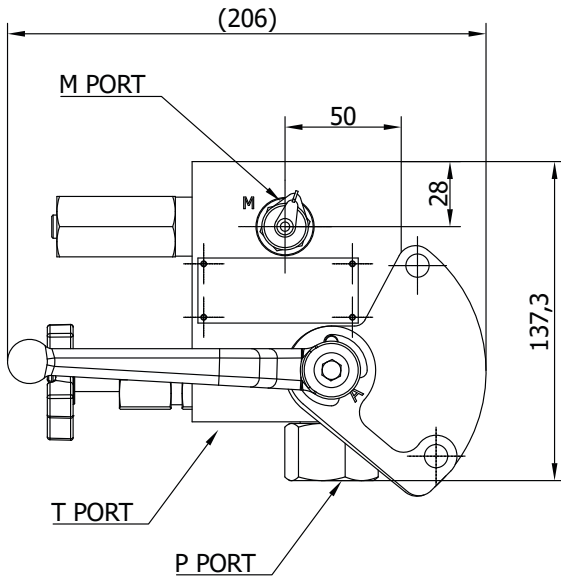
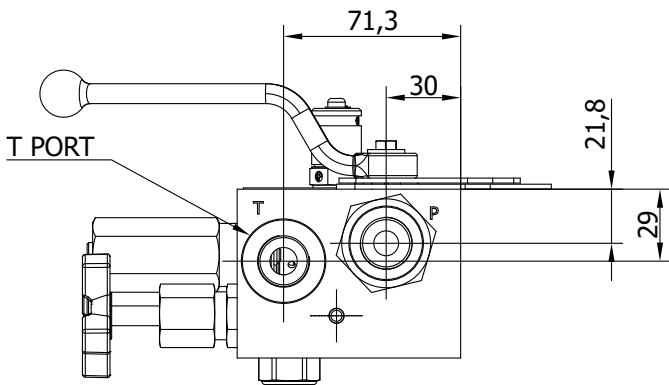
click **HERE** to download the required CAD file for the selected partnumber.



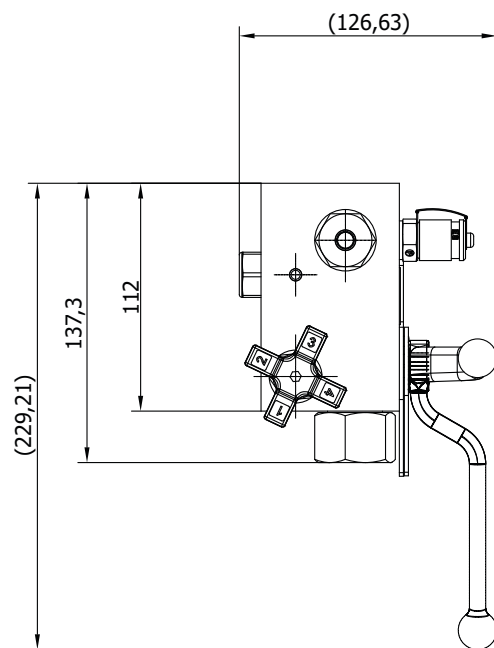
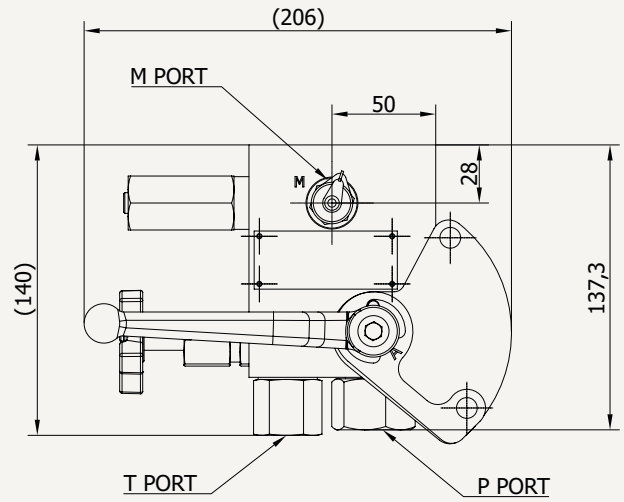
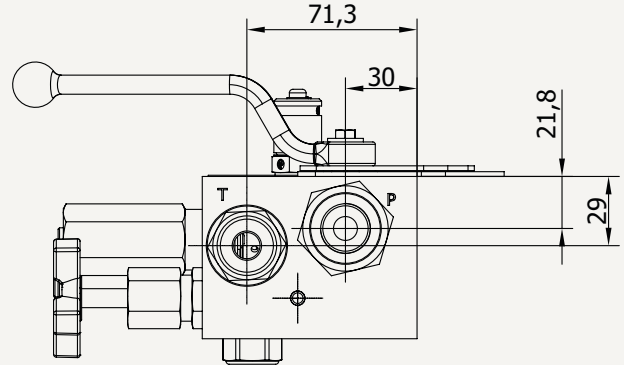
Benefit from our high-runners and order accordingly marked product at especially short lead-times.

*Tables show core product range. Other alternatives are available, please see code-key table on p. 33

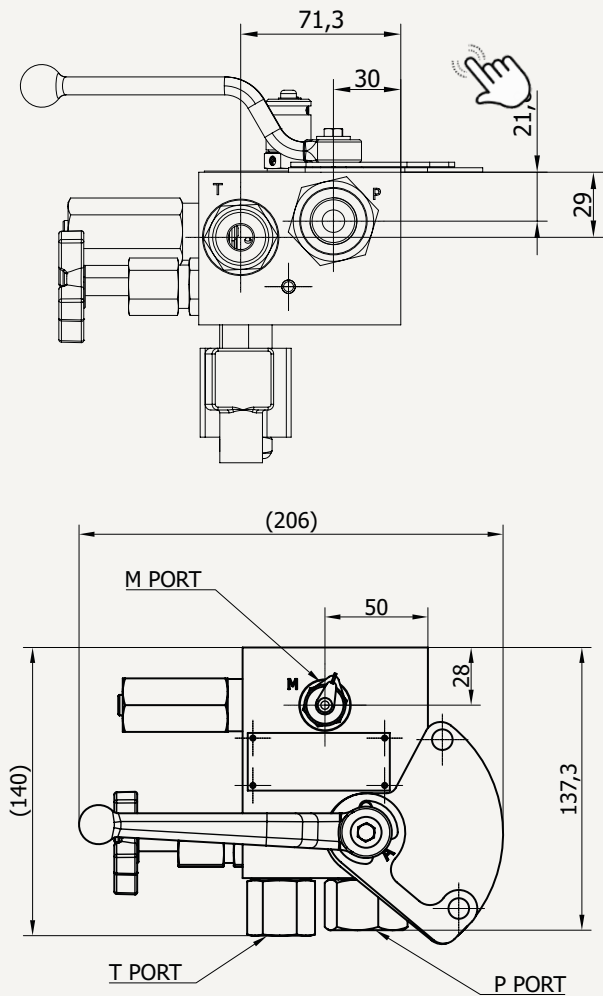
Manual Version / BSPP



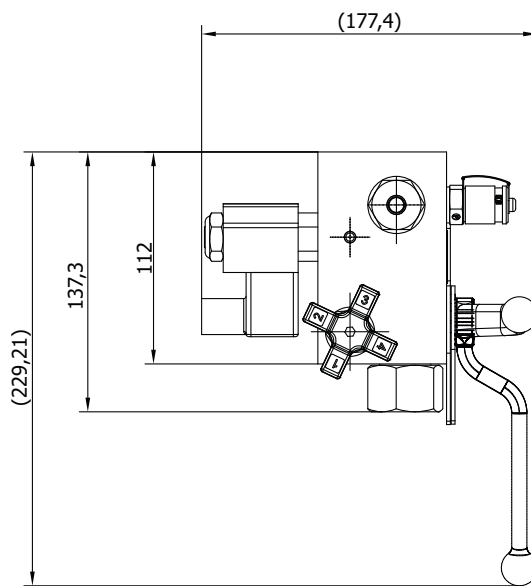
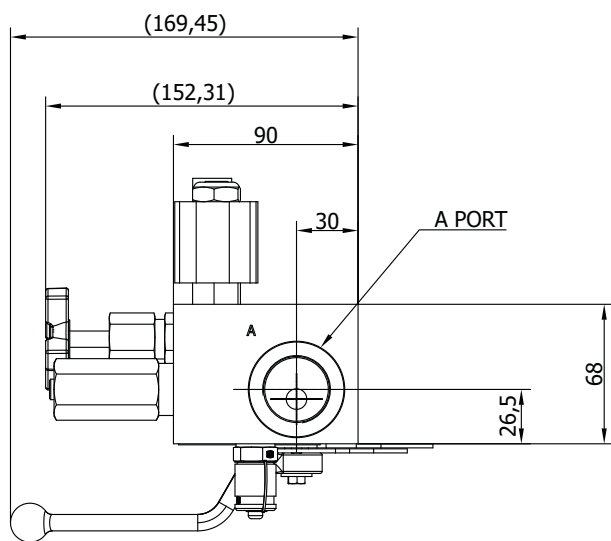
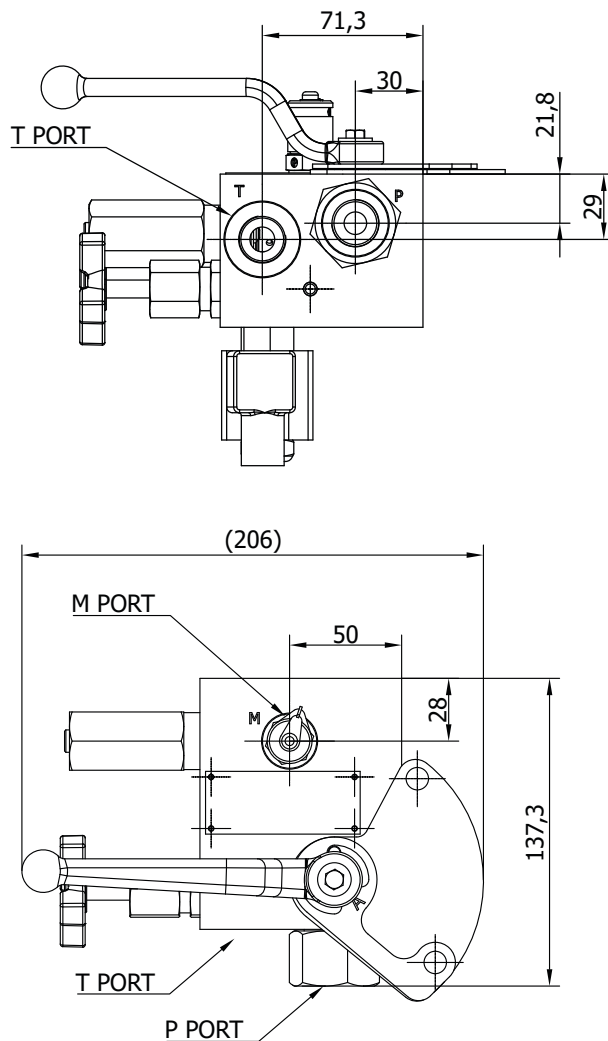
Manual Version / SAE



Electric Version / SAE



Electric Version / BSPP

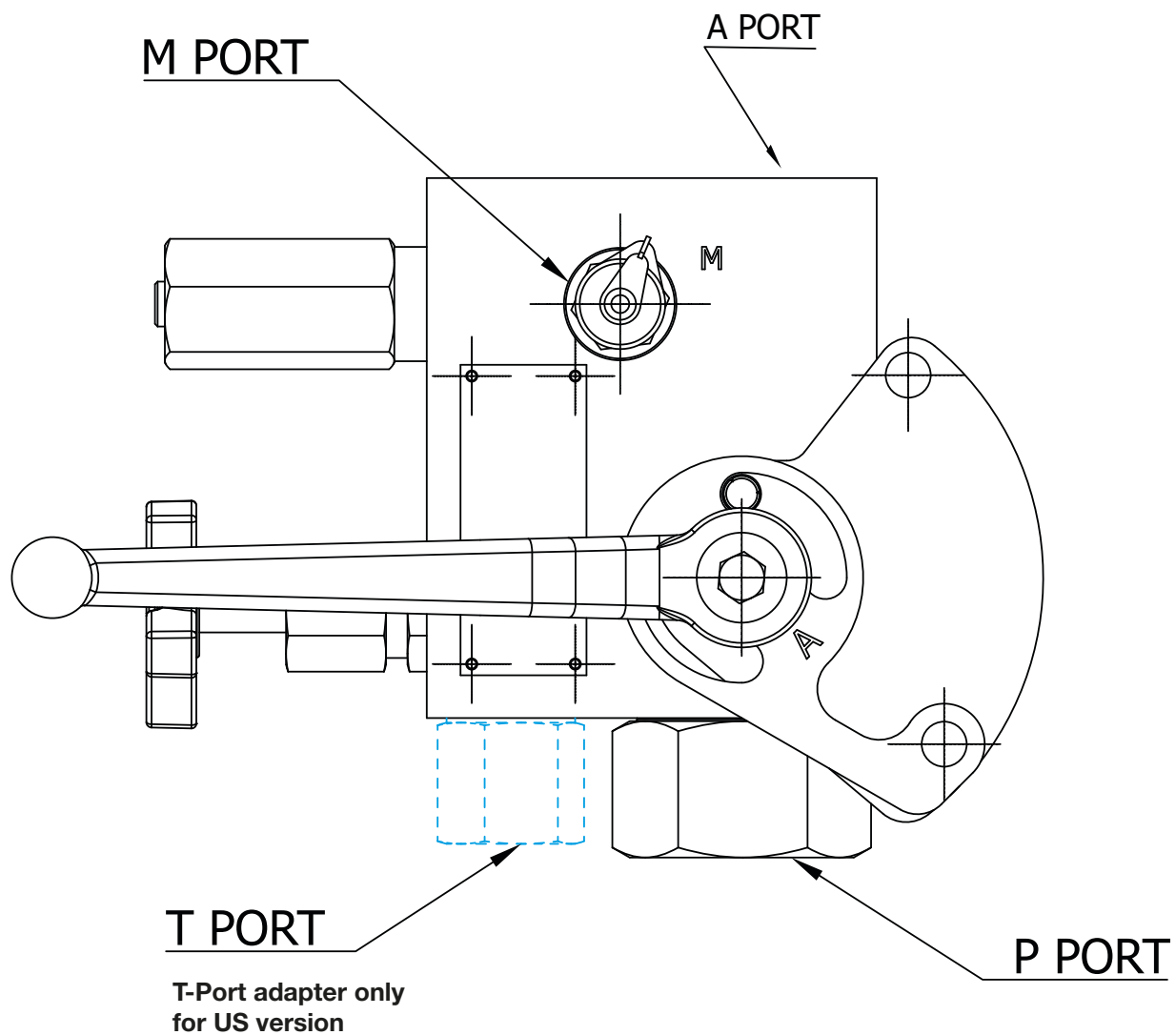


Safety Block, Size 20

Port	BSPP Connection	SAE Connection
P	BSPP 1"	#16 SAE
T	BSPP 1/2	#10 SAE
A	M33 x 2	
M	M16 x 2	

Technical Data

Weight: 8.2 kg

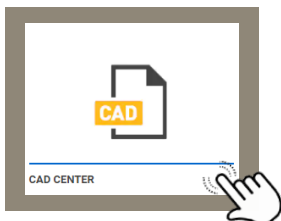


BSPB Range (Europe)*

Partnumber		Accumulator Connection	Electrical (24 VDC)	Electrical (230 V AC)	Locking Plate
SBR20TCM000330CNZ0	330 Bar	N	N	N	N
SBR20TCM003330CNZ0	330 Bar (2")	Y	N	N	N
SBR20TCE100330CNZ0	330 Bar	N	Y	N	N
SBR20TCE300330CNZ0	330 Bar	N	N	Y	N
SBR20TCM000330CNZL	330 Bar	N	N	N	Y
SBR20TCE103330CNZ0	330 Bar (2")	Y	Y	N	N
SBR20TCE103330CNZL	330 Bar (2")	Y	Y	N	Y
SBR20TCM000350CNZ0	350 Bar	N	N	N	N
SBR20TCM001350CNZ0	350 Bar (1"-1/4)	Y	N	N	N
SBR20TCE100350CNZ0	350 Bar	N	Y	N	N
SBR20TCE300350CNZ0	350 Bar	N	N	Y	N
SBR20TCM000350CNZL	350 Bar	N	N	N	Y
SBR20TCE101350CNZ0	350 Bar (1"-1/4)	Y	Y	N	N
SBR20TCE101350CNZL	350 Bar (1"-1/4)	Y	Y	N	Y
SBR20TCE100210CNZ0	210 Bar	N	Y	N	N
SBR20TCE300210CNZ0	210 Bar	N	N	Y	N
SBR20TCE103210CNZ0	210 Bar (2")	Y	Y	N	N

SAE Range (US)*

Part Number		Adaptor	Electrical (24 VDC)	Electrical (110 V AC)	Locking Plate
SBT20TCM000210CNZ0	210 bar	N	N	N	N
SBT20TCM000210CNZL	210 bar	N	N	N	Y
SBT20TCE100210CNZ0	210 bar	N	Y	N	N
SBT20TCE100210CNZL	210 bar	N	Y	N	Y
SBT20TCM000250CNZ0	250 bar	N	N	N	N
SBT20TCM000250CNZL	250 bar	N	N	N	Y
SBT20TCE100250CNZ0	250 bar	N	Y	N	N
SBT20TCE100250CNZL	250 bar	N	Y	N	Y



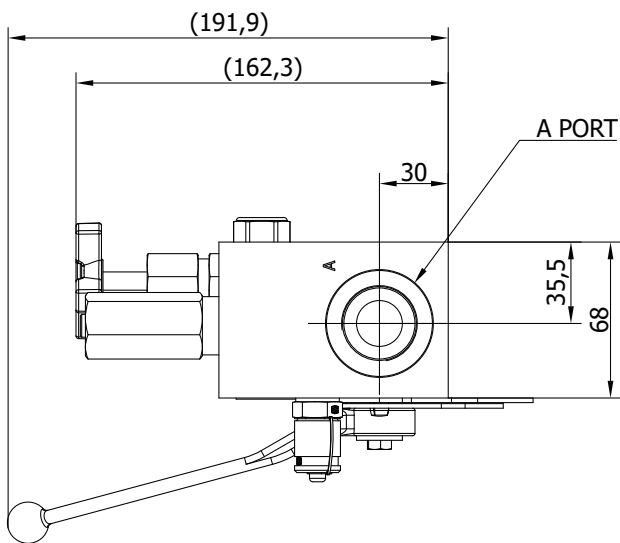
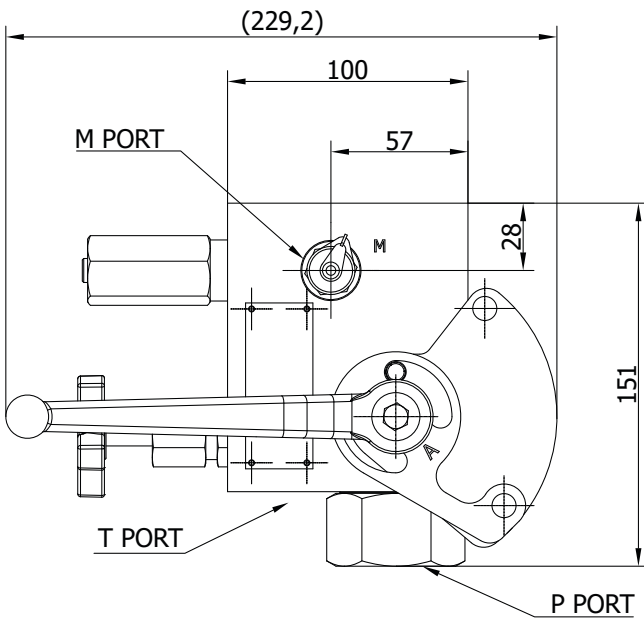
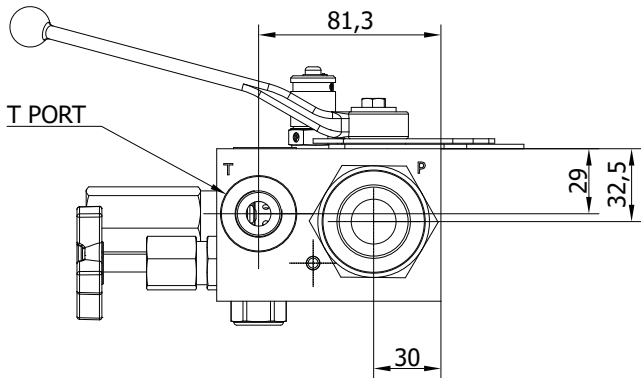
click **HERE** to download the required CAD file for the selected partnumber.



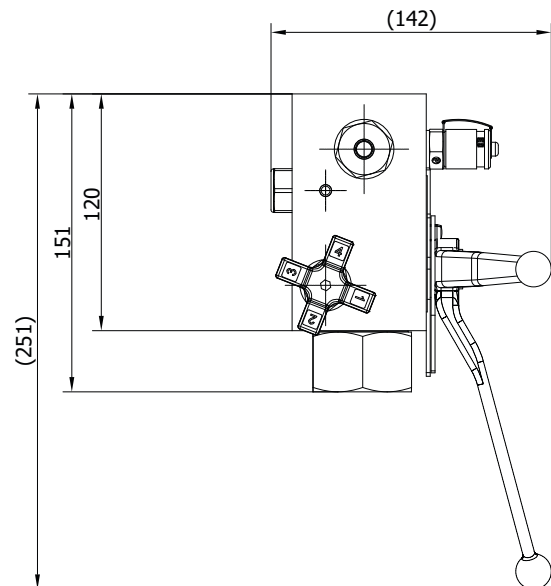
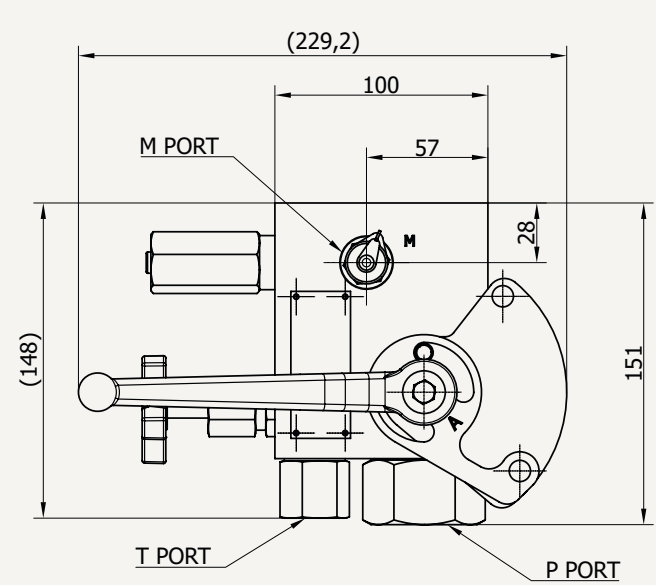
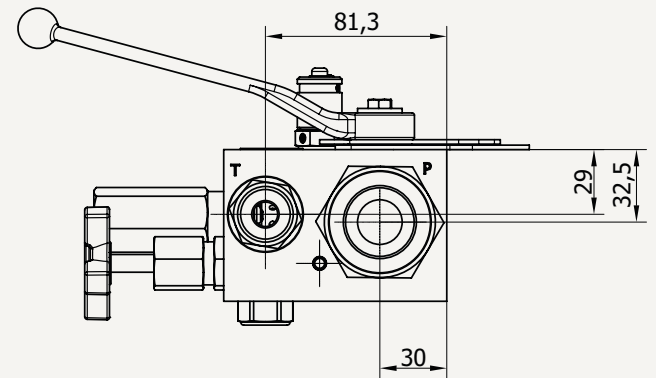
Benefit from our high-runners and order accordingly marked product at especially short lead-times.

*Tables show core product range. Other alternatives are available, please see code-key table on p. 33

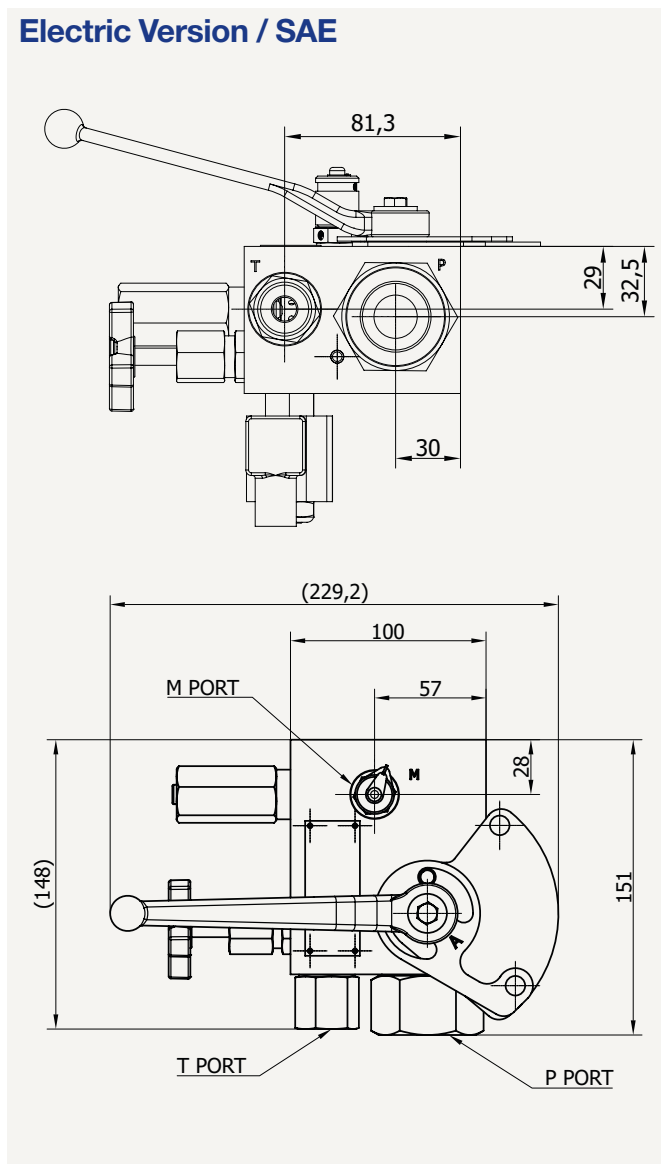
Manual Version / BSPP



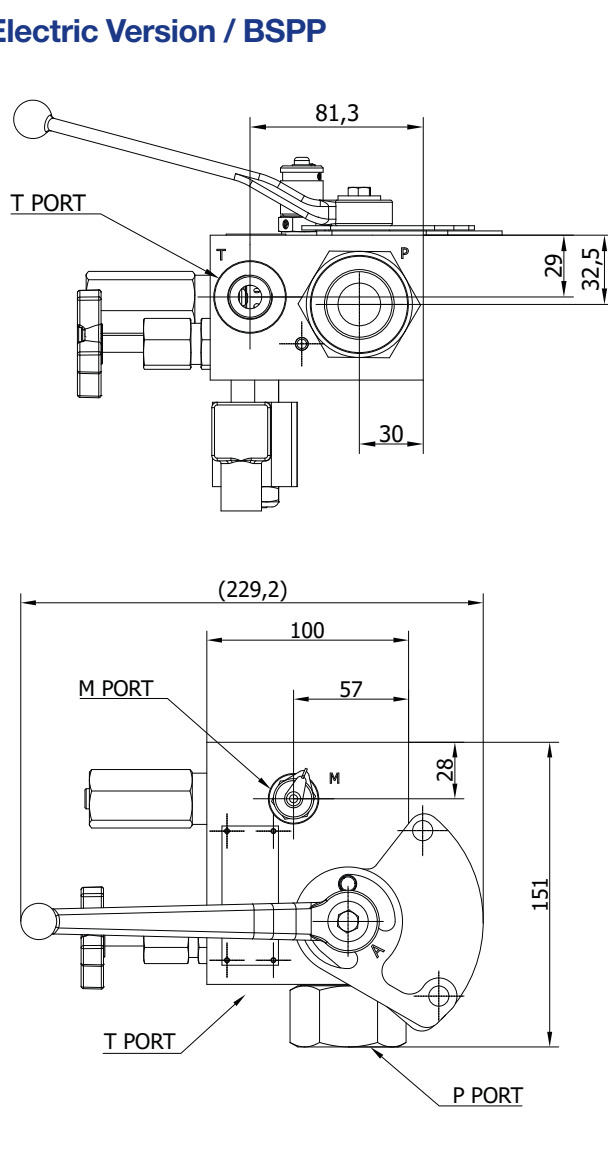
Manual Version / SAE



Electric Version / SAE



Electric Version / BSPP



Safety Block, Size 32

Flange for P-Connection

Port	Connection EU	Connection US
P	1¼ SAE 6000	1¼ SAE 6000
T	BSPP 1"	#16 SAE
A	Square Flange 74.24 mm + 1 ½ SAE 6000	
M	M16 x 200	

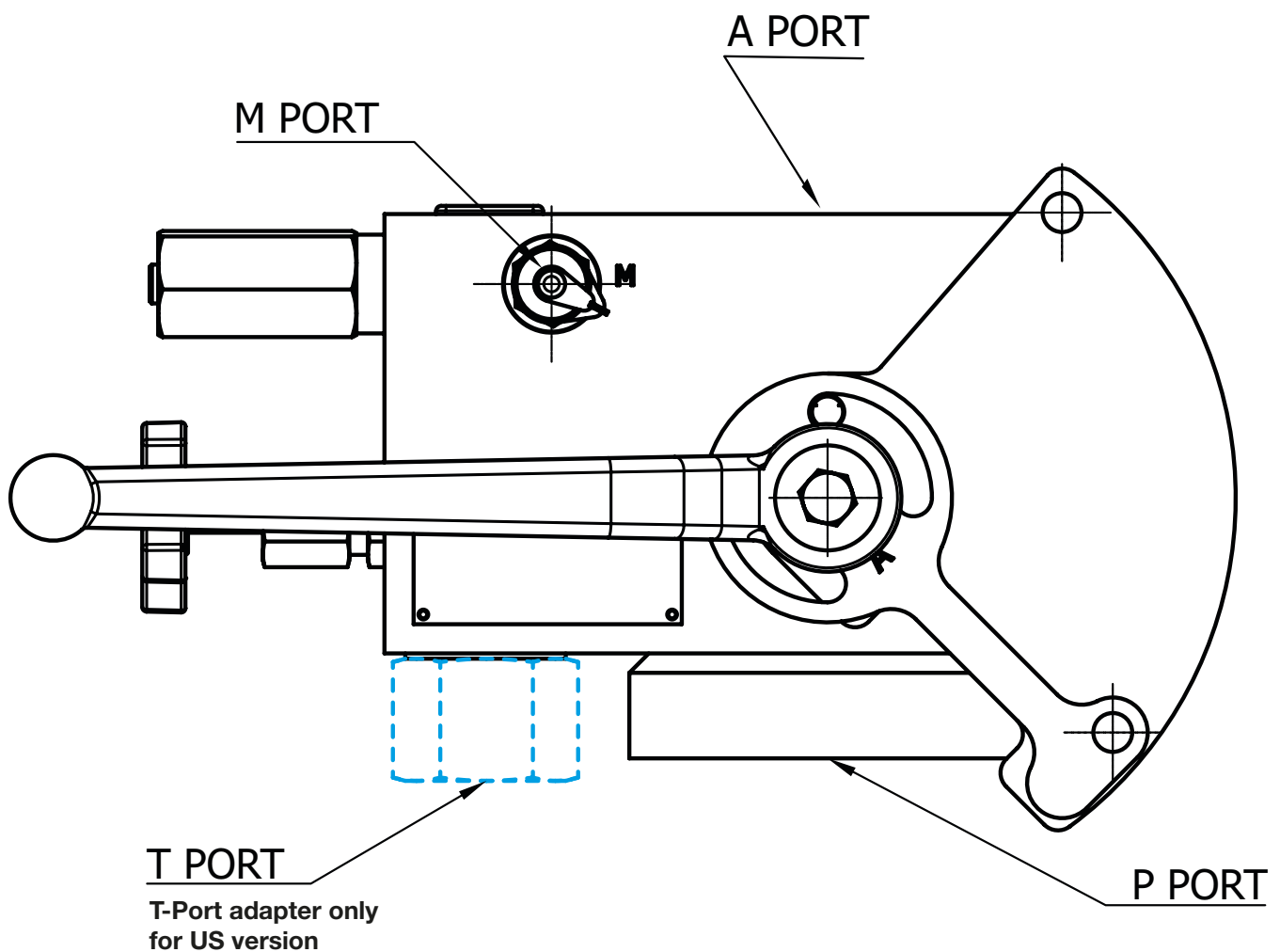
Threaded P-Connection

Port	Connection EU	Connection US
P	BSPP 1-½	#24 SAE
T	BSPP 1"	#16 SAE
A	Square Flange 74.24 mm + 1 ½ SAE 6000	
M	M16 x 200	

Technical Data

Weight: BSPP: 15.73 kg / 18.70 kg incl. 2" adapter

SAE: 16.3 kg / 19.20 kg incl. 2" adapter

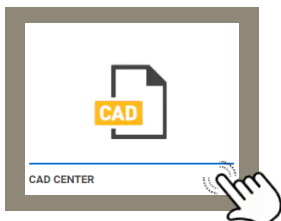


BSPB Range (Europe)*

Part Number		Accumulator Connection	Electrical (24 VDC)	Electrical (230 V AC)	Locking Plate
SBR32TCE100210CNZ0	210 bar	N	Y	N	N
SBR32TCE300210CNZ0	210 bar	N	N	Y	N
SBR32TCM000330CNZ0	330 bar	N	N	N	N
SBR32TCM003330CNZ0	330 bar (2")	Y	N	N	N
SBR32TCE100330CNZ0	330 bar	N	Y	N	N
SBR32TCE300330CNZ0	330 bar	N	N	Y	N
SBR32TCM000330CNZL	330 bar	N	N	N	Y
SBR32TCE103330CNZ0	330 bar (2")	Y	Y	N	N
SBR32TCE103330CNZL	330 bar (2")	Y	Y	N	Y
SBR32FCM000330CNZ0	330 bar	N	N	N	N
SBR32FCM003330CNZ0	330 bar (2")	Y	N	N	N
SBR32FCE100330CNZ0	330 bar	N	Y	N	N
SBR32FCM000330CNZL	330 bar	N	N	N	Y
SBR32FCE103330CNZ0	330 bar (2")	Y	Y	N	N
SBR32FCE103330CNZL	330 bar (2")	Y	Y	N	Y
SBR32TCM000350CNZ0	350 bar	N	N	N	N
SBR32TCM003350CNZ0	350 bar (2")	Y	N	N	N
SBR32TCE100350CNZ0	350 bar	N	Y	N	N
SBR32TCE300350CNZ0	350 bar	N	N	Y	N
SBR32FCM000350CNZ0	350 bar	N	N	N	N

SAE Range (US)*

Part Number		Adaptor	Electrical (24 VDC)	Electrical (110 V AC)	Locking Plate
SBT32TCM000210CN0	210 bar	N	N	N	N
SBT32TCE100210CNZ0	210 bar	N	Y	N	N
SBT32TCE100210CNZL	210 bar	N	Y	N	Y
SBT32TCM000250CN0	250 bar	N	N	N	N
SBT32TCE100250CNZ0	250 bar	N	Y	N	N
SBT32TCE100250CNZL	250 bar	N	Y	N	Y



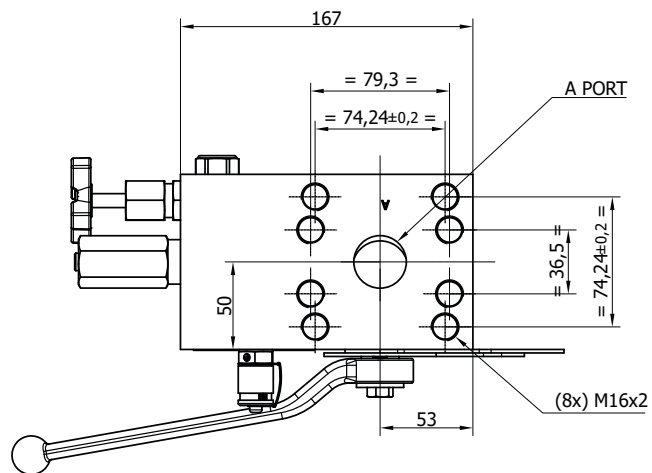
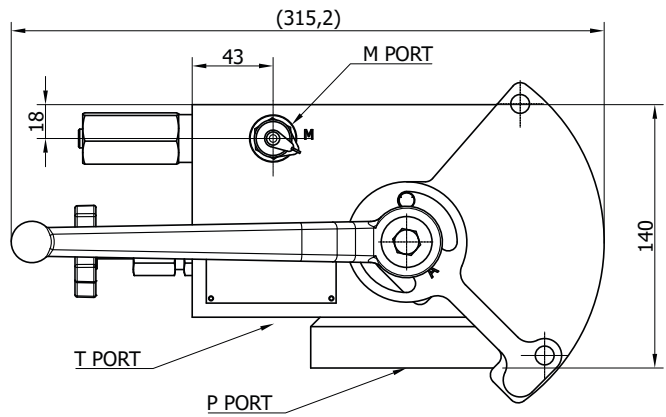
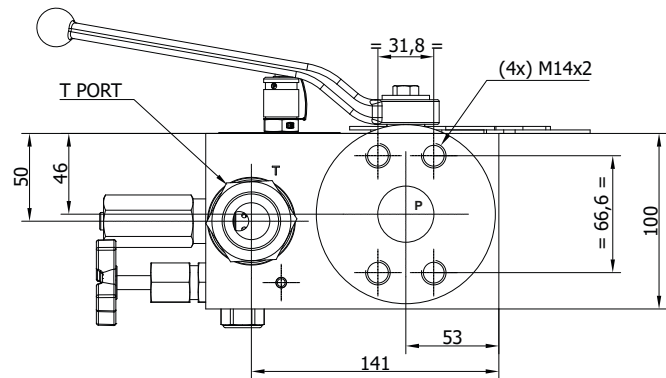
click **HERE** to download the required CAD file for the selected partnumber.



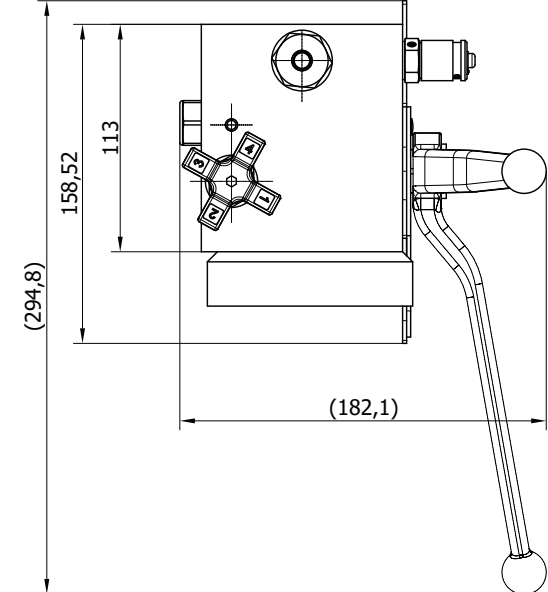
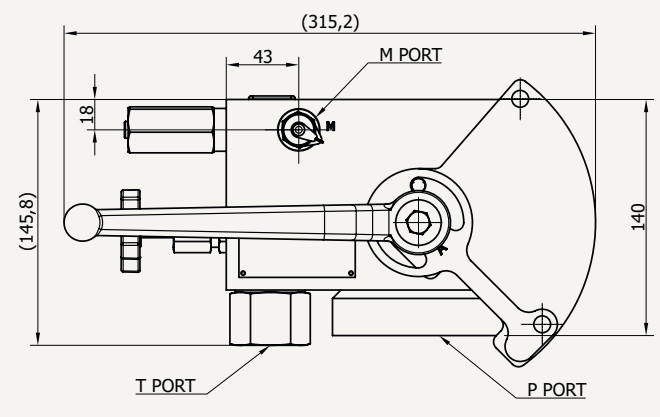
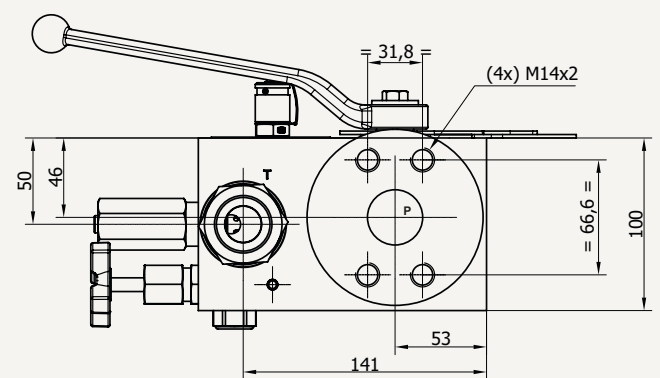
Benefit from our high-runners and order accordingly marked product at especially short lead-times.

*Tables show core product range. Other alternatives are available, please see code-key table on p. 33

Manual Version / BSPP

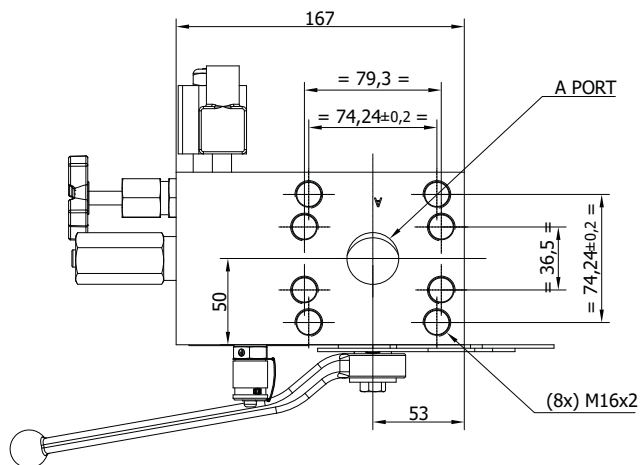
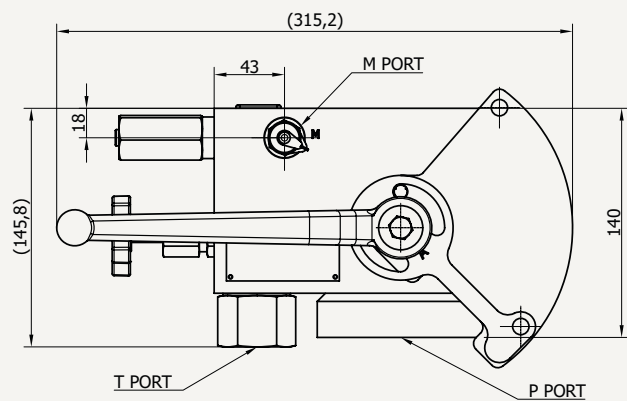
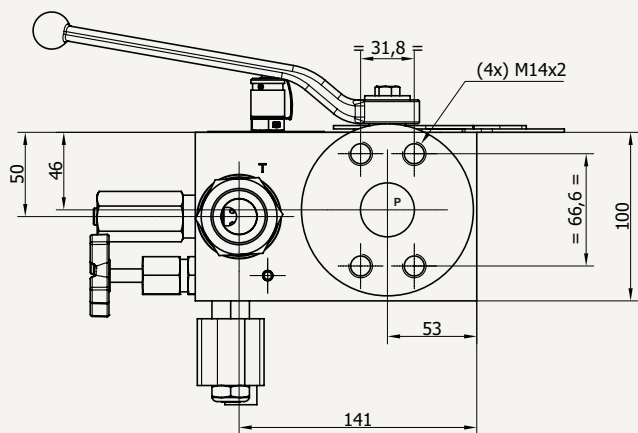


Manual Version / SAE

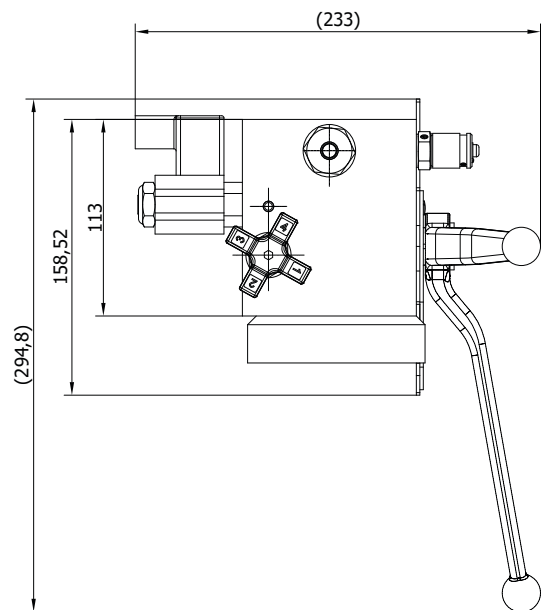
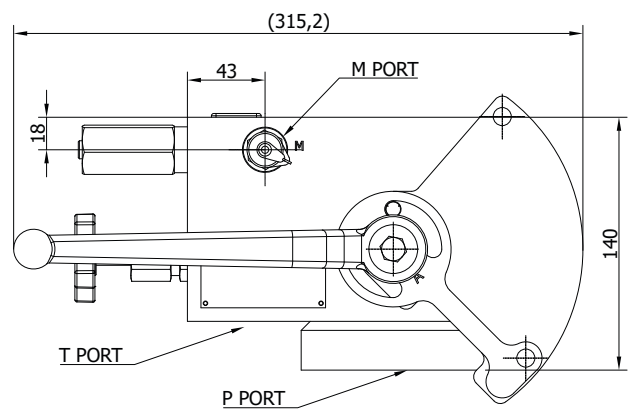
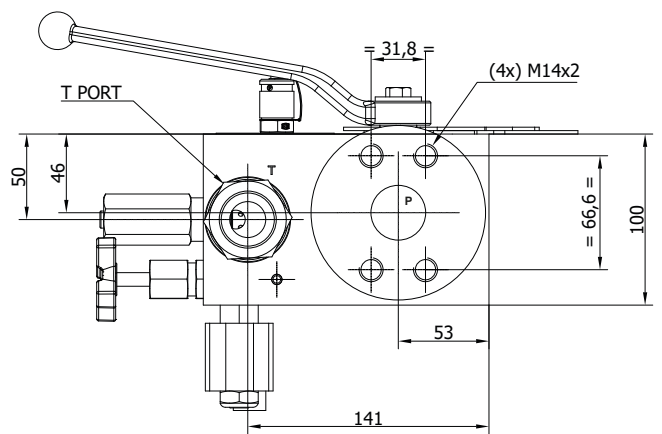


P-FLANGE ORIENTATION JUST FOR INFORMATIONAL PURPOSES!

Electric Version / SAE

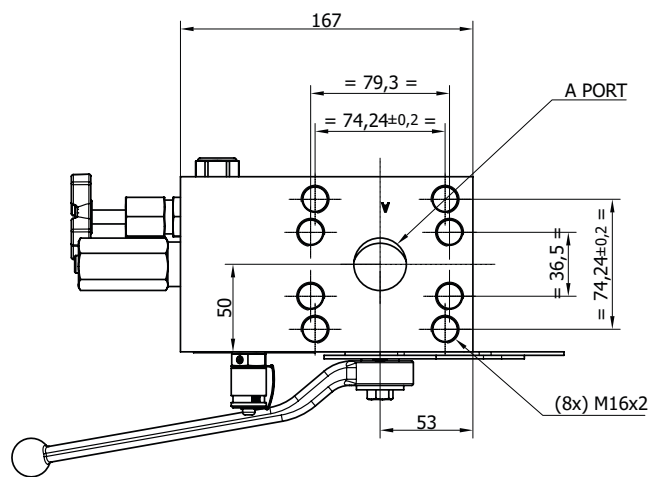
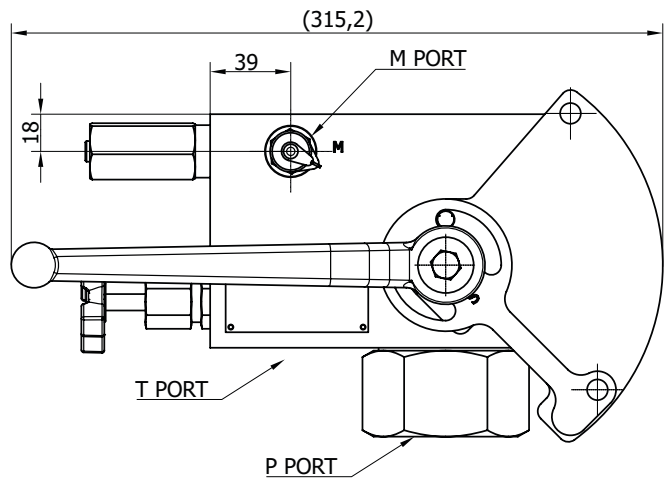
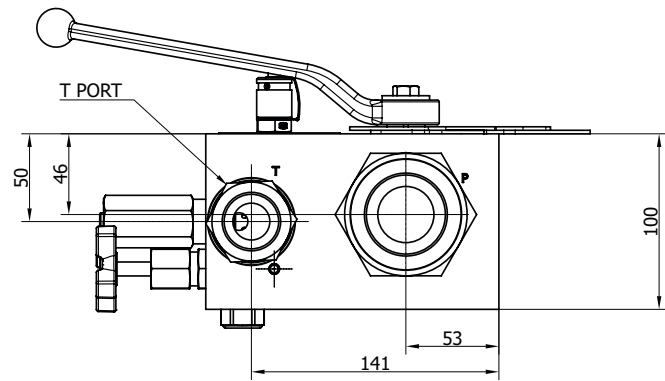


Electric Version / BSPP

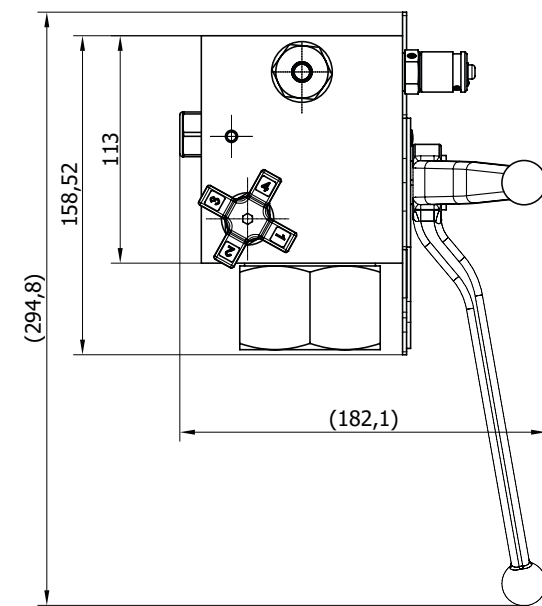
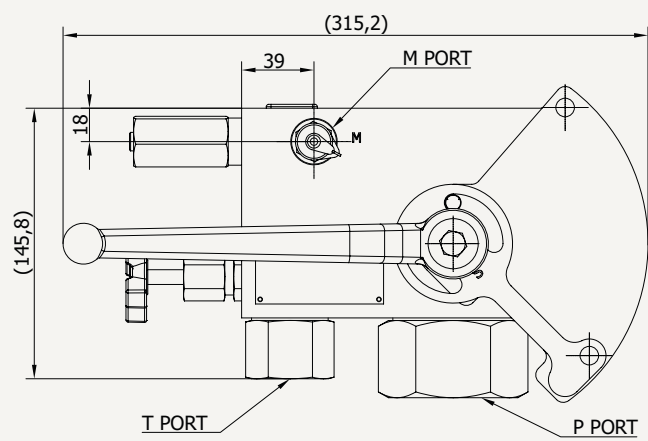
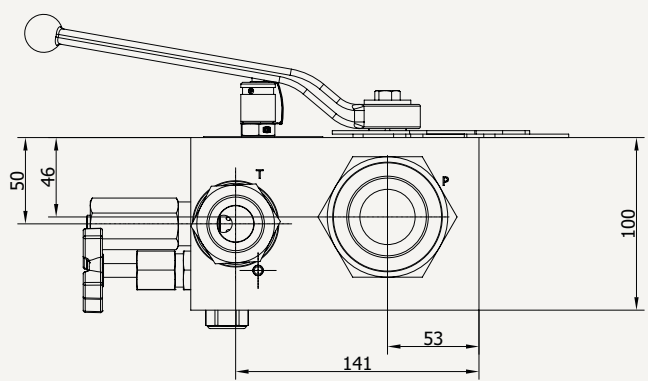


P-FLANGE ORIENTATION JUST FOR INFORMATIONAL PURPOSES!

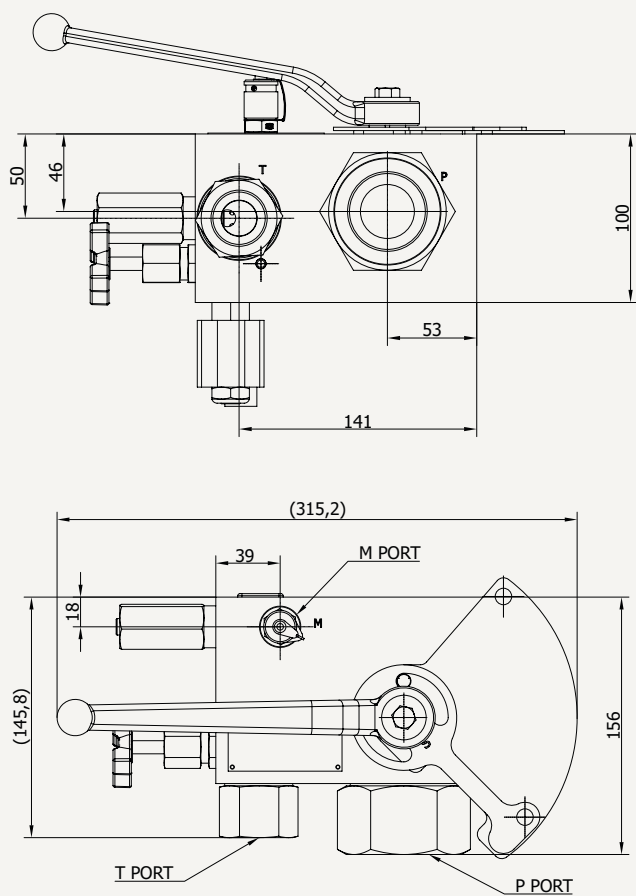
Manual Version / BSPP



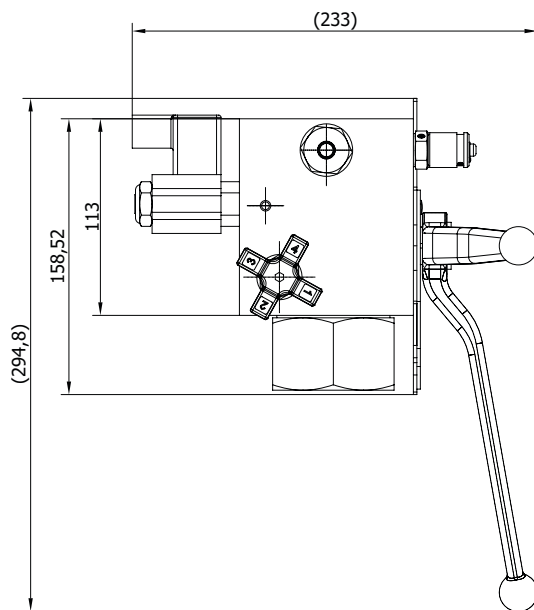
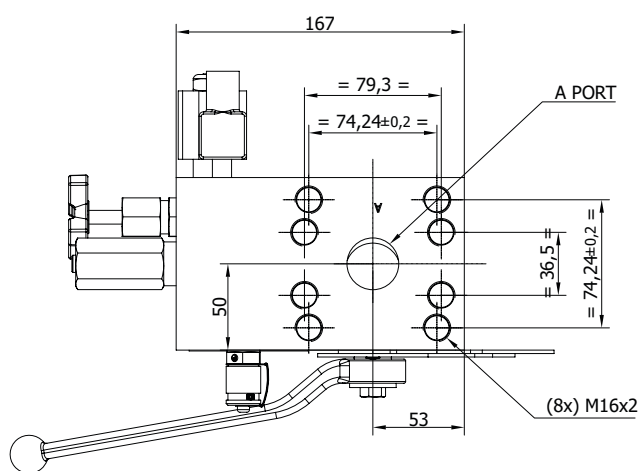
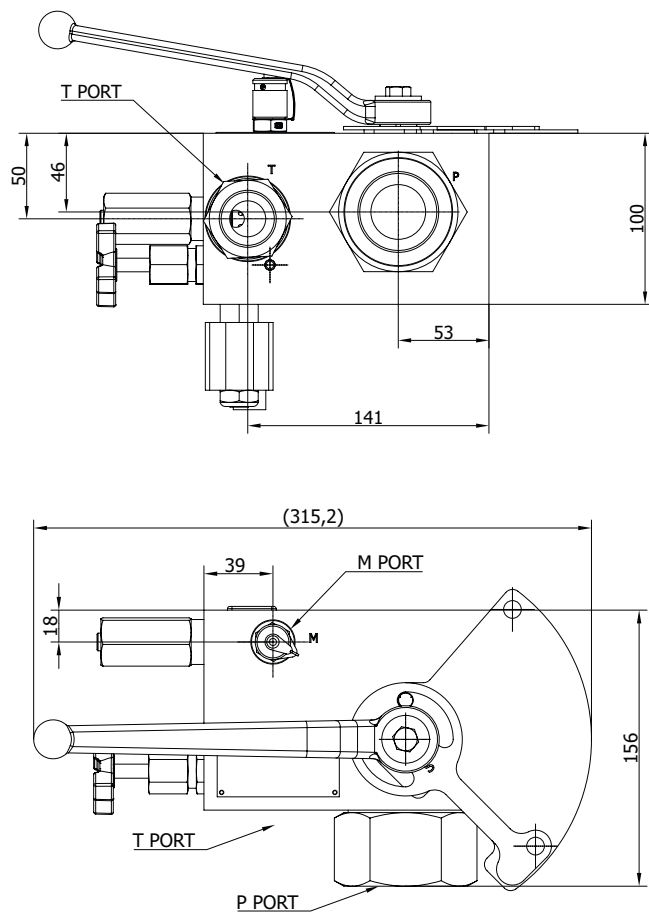
Manual Version / SAE



Electric Version / SAE



Electric Version / BSPP



SB Safety Block, size 32 - THREADED

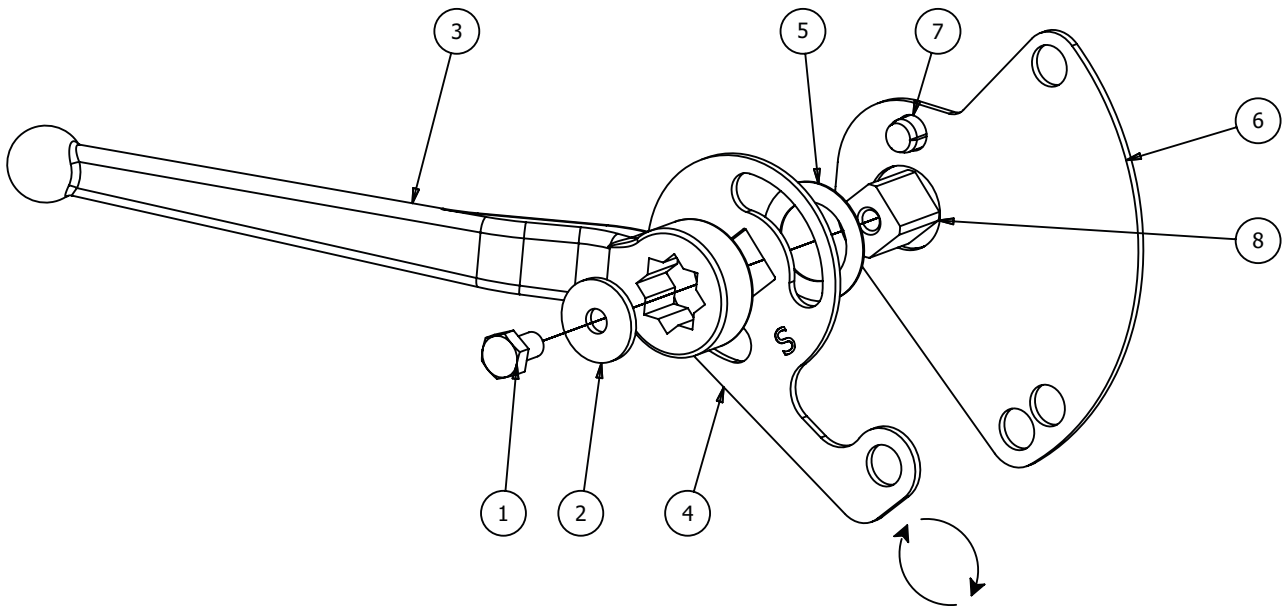
Explanation Individual Parts

Manual and Electrical Discharge Valve

The discharge valve allows fluid stored in the accumulator to be discharged to tank. All models of SB safety block are fitted with a manually-operated discharge valve. As an optional feature, an electrical discharge valve is available in addition to the manual valve. An electrical discharge valve should be specified where the safety block is to be mounted in a remote or inaccessible location. Manual-only versions of the SB safety block are denoted by an M in the model code, see page 33, while models with both a manual and an electrical discharge valve are designated E.

**The exclusive colourflow colour-band shows drain valve status.
The colour indicates the drain valve's condition (open / closed).**

Opening Handle / Locking Device



1	Hex head screw
2	Washer
3	Handle
4	Outside locking plate*
5	Washer*
6	Inside locking plate*
7	Groove pin
8	Actuating spindle

* Available with Spare Parts Kit, see p. 30

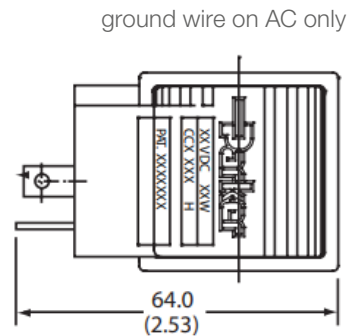
Pressure Relief Valve

The function of the pressure relief valve is to protect the accumulator in service. If pressure exceeds the relief valve setting, the valve lifts off its seat and fluid is discharged to tank, allowing pressure in the system to fall to a safe level.

Because of its cartridge design, the pressure relief valve can be readily replaced by a valve with a different pressure setting, selected from the table. A new approval under PED 97/23/EC is not required following this change. The pre-set relief pressure, in bar, is stamped onto the pressure-relief valve identification marking.

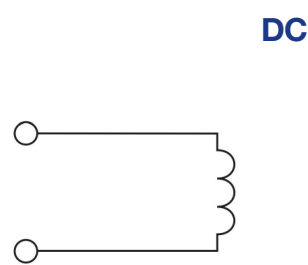
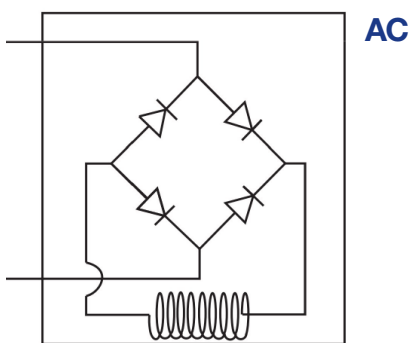
CCP - Integral Connector Coil

- Universal 50 / 60 Hz operation
- Waterproof coil hermetically sealed, requires no O-rings or waterproof kits
- External plated steel flux-carrying band enables coil to withstand severe thermal shocks without cracking
- Conforms to DIN 43650
(AC or DC, supplied without DIN connector)



Volt	Watt	Amp	Ohm*
024	19	0.79	30.3
115	19	0.20	576
230	22	0.12	1919

* Resistance +/- 10% at 20°C



Spare Parts

Pressure Relief Valve, Pressure Settings

350 4623 2101	210 bar
350 4623 2501	250 bar
350 4623 2801	280 bar
350 4623 3101	310 bar
350 4623 3301	330 bar
350 4623 3501	350 bar

Locking Plate Kit

351 828 00200	Size 10
351 829 00200	Size 20
351 830 00200	Size 32

LOCKING PLATE KIT includes

- Inside locking plate
- PTFE washer
- Outside locking plate

Seal Kit (NBR)


35183100020

SEAL KIT includes

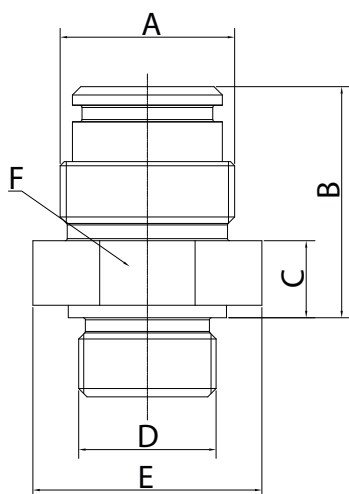
- pressure relief valve seals
- drain valve seals (manual / electric)
- plug (electrical valve orifice)
- P adapter seals

one model
for all sizes

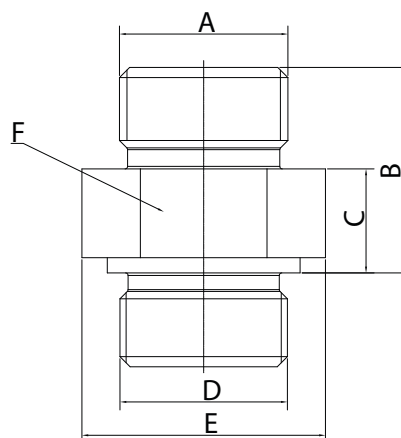
Adapter

P/N	Designation		size	A	B	C	D	E	F
35183200223	ADAPTOR M33x2 - G3/4"+ O-RINGS	1	10 & 20	BSP 3/4"	47.5	20	M33 x 2	Ø 48	41 on flat
35183300223	ADAPTOR M33X2-G1"1/4 + O-RINGS	1	10 & 20	BSP 1-1/4"	55.5	18.5	M33 x 2	Ø 55	50 on flat
35183400223	ADAPTOR M33X2-G2" + O-RINGS	1	10 & 20	BSP 2"	57.5	13.5	M33 x 2	Ø 75	65 on flat
35183500223	FLANGE ADAPTOR 1"1/4 +O-RINGS	2	32	BSP1-1/4"	65	28	4 Screw M16X50	100 x 100	
35183600223	FLANGE ADAPTOR 2" + O-RINGS	2	32	BSP 2"	72	28	4 Screw M16X50	100 x 100	
35183700223	ADAPTOR M33X2-G1/2"+ Bonded Seal	3	10 & 20	BSP 1/2"	34	18	M33 x 2	Ø 48	41 on flat
35183800223	ADAPTOR M33X2-G3/4"+ Bonded Seal	3	10 & 20	BSP 3/4"	39	20	M33 x 2	Ø 48	41 on flat
35183900223	ADAPTOR M33X2-G1" + Bonded Seal	3	10 & 20	BSP 1"	40	20	M33 x 2	Ø 48	41 on flat
35184000223	ADAPTOR M33X2-G1"1/4 + Bonded Seal	3	10 & 20	BSP 1-1/4"	42	20	M33 x 2	Ø 55	50 on flat
35184100223	ADAPTOR M33X2-G2" + Bonded Seal	3	10 & 20	BSP 2"	50	20	M33 x 2	Ø 75	65 on flat
35184200223	FLANGE ADAPTOR G1"1/4+ Bonded Seal	4	32	BSP 1-1/4"	50	28	4 Screw M16X50	100 x 100	
35184300223	FLANGE ADAPTOR G1"1/2+ Bonded Seal	4	32	BSP 1-1/2"	53	28	4 Screw M16X50	100 x 100	
35184400223	FLANGE ADAPTOR G2" + Bonded Seal	4	32	BSP 2"	58	28	4 Screw M16X50	100 x 100	

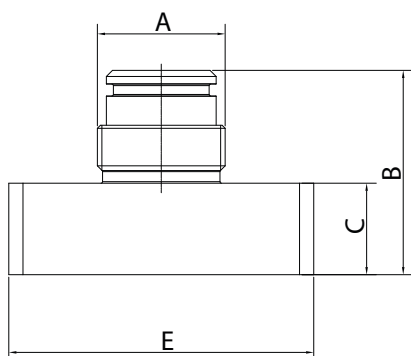
 1



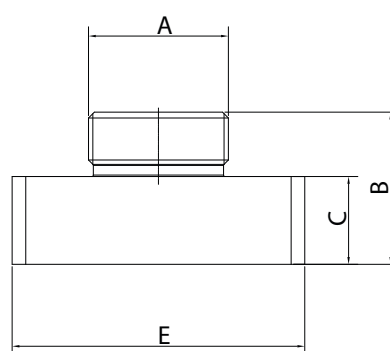
 3



 2



 4



Additional Information / Service



LINK to Manual



LINK to valve PED and ATEX document



NEW



For any questions you might have, or for any information you are looking for: Parker now offers a live chat function to support you!

Just go to the product page and click on the icon on the bottom of the page to talk to one of our experts.

Code Key

Type:	SB	1	2	3	4	5	6	7	8	9	10	11	12
		Connection Standard	Size	P Port	Material	Drain Control	Voltage	A Port	Pressure	Regulation	Seals	Protection	Locking System
1	Connection Standard	R - BSPP (Europe), T - SAE											
2	Size	10 (NG10), 20(NG20), 32 (NG32)											
3	P Port / Connection 1 Size	T (Threaded, sizes 10, 20, 32) F (Flange SAE 1"-1/4 6000 PSI, size 32 only)											
4	Material	C (carbon steel), S (stainless steel)*											
5	Drain Control	E (electrical & manual), M (manual)											
6	Voltage (drain control) NO	0 (only manual (M)) 1 (24 V DC) 2 (110/120V AC 50/60Hz) 3 (230V AC 50/60Hz)											
7	Accumulator Connection A Port / Connection 2 Size	00 (none) 01 (1 1/4") 02 (3/4") 03 (2") 04 (1/2" bonded seal) 06 (3/4" bonded seal) 07(1" bonded seal) 08 (1 1/4" bonded seal) 09 (2" bonded seal)											
8	Pressure Settings (bar) Pressure Relief Valve	210, 250, 280, 310, 330, 350											
9	Regulation	C (PED)											
10	Seals	N (NBR)											
11	Protection	Z (zinc plated), S (stainless steel)*											
12	Locking System	L (1 or 2 positions), 0 (none)											

* please consult Parker for availability



**configure safety block
on parker.com**



Parker Worldwide

Europe, Middle East, Africa

AE – United Arab Emirates,

Dubai

Tel: +971 4 8127100

AT – Austria, St. Florian

Tel: +43 (0)7224 66201

AZ – Azerbaijan, Baku

Tel: +994 50 2233 458

BE/NL/LU – Benelux,

Hendrik Ido Ambacht

Tel: +31 (0)541 585 000

BY – Belarus, Minsk

Tel: +48 (0)22 573 24 00

CH – Switzerland, Etoy

Tel: +41 (0)21 821 87 00

CZ – Czech Republic,

Prague

Tel: +420 284 083 111

DE – Germany, Kaarst

Tel: +49 (0)2131 4016 0

DK – Denmark, Ballerup

Tel: +45 43 56 04 00

ES – Spain, Madrid

Tel: +34 902 330 001

FI – Finland, Vantaa

Tel: +358 (0)20 753 2500

FR – France, Contamine s/Arve

Tel: +33 (0)4 50 25 80 25

GR – Greece

Tel: +30 69 44 52 78 25

HU – Hungary, Budaörs

Tel: +36 23 885 470

IE – Ireland, Dublin

Tel: +353 (0)1 466 6370

IL – Israel

Tel: +39 02 45 19 21

IT – Italy, Corsico (MI)

Tel: +39 02 45 19 21

KZ – Kazakhstan, Almaty

Tel: +7 7273 561 000

NO – Norway, Asker

Tel: +47 66 75 34 00

PL – Poland, Warsaw

Tel: +48 (0)22 573 24 00

PT – Portugal

Tel: +351 22 999 7360

RO – Romania, Bucharest

Tel: +40 21 252 1382

RU – Russia, Moscow

Tel: +7 495 645-2156

SE – Sweden, Borås

Tel: +46 (0)8 59 79 50 00

SL – Slovenia, Novo Mesto

Tel: +386 7 337 6650

TR – Turkey, Istanbul

Tel: +90 216 4997081

UK – United Kingdom, Warwick

Tel: +44 (0)1926 317 878

ZA – South Africa, Kempton Park

Tel: +27 (0)11 961 0700

North America

CA – Canada, Milton, Ontario

Tel: +1 905 693 3000

US – USA, Cleveland

Tel: +1 216 896 3000

Asia Pacific

AU – Australia, Castle Hill

Tel: +61 (0)2-9634 7777

CN – China, Shanghai

Tel: +86 21 2899 5000

HK – Hong Kong

Tel: +852 2428 8008

IN – India, Mumbai

Tel: +91 22 6513 7081-85

JP – Japan, Tokyo

Tel: +81 (0)3 6408 3901

KR – South Korea, Seoul

Tel: +82 2 559 0400

MY – Malaysia, Shah Alam

Tel: +60 3 7849 0800

NZ – New Zealand, Mt Wellington

Tel: +64 9 574 1744

SG – Singapore

Tel: +65 6887 6300

TH – Thailand, Bangkok

Tel: +662 186 7000

TW – Taiwan, Taipei

Tel: +886 2 2298 8987

South America

AR – Argentina, Buenos Aires

Tel: +54 3327 44 4129

BR – Brazil, Sao Jose dos Campos

Tel: +55 080 0727 5374

CL – Chile, Santiago

Tel: +56 22 303 9640

MX – Mexico, Toluca

Tel: +52 72 2275 4200

European Product Information Centre

Free phone: 00 800 27 27 5374

(from AT, BE, CH, CZ, DE, DK, EE, ES, FI, FR, IE, IL, IS, IT, LU, MT, NL, NO, PL, PT, RU, SE, SK, UK, ZA)

Parker Hannifin Ltd.

Tachbrook Park Drive

Tachbrook Park,

Warwick, CV34 6TU

United Kingdom

Tel.: +44 (0) 1926 317 878

www.parker.com

